

INCH-POUND

**MIL-STD-147E
w/CHANGE 2
27 June 2019**

**SUPERSEDING
MIL-STD-147E
w/CHANGE 1
23 December 2013**

**DEPARTMENT OF DEFENSE
STANDARD PRACTICE**

PALLETIZED UNIT LOADS



AMSC N/A

AREA PACK

FOREWORD

1. This standard is approved for use by all Departments and Agencies of the Department of Defense (DoD).
2. This standard covers the methods, materials, and techniques to be employed in the formation of bonded palletized unit loads of military supplies, which are adaptable to unit loading. The methods prescribed herein shall be utilized with a standard, general purpose, 40- by 48-inch pallet.
3. Comments, suggestions, or questions on this document should be addressed to:
Chief, U.S. Army Materiel Command, Army Sustainment Command, Packaging, Storage, and Containerization Center, ATTN: AMAS-SPS-PP, Tobyhanna, PA 18466-5097 or e-mail usarmy.tyad.usamc.mbx.pt@mail.mil . Since contact information can change, you may want to verify the currency of this address information using the ASSIST Online database at <https://assist.dla.mil>.

CONTENTS

<u>PARAGRAPH</u>	<u>PAGE</u>
FOREWORD	ii
1. SCOPE	1
1.1 Scope	1
1.1.1 Limitation	1
1.2 Application	1
1.2.1 Direction	1
1.3 Customary units-metric units conversion	1
2. APPLICABLE DOCUMENTS	2
2.1 General	2
2.2 Government documents	2
2.2.1 Specifications, standards, and handbooks	2
2.2.2 Other Government documents, drawings, and publications	3
2.3 Non-Government publications	3
2.4 Order of precedence	5
3. DEFINITIONS	6
3.1 Abbreviations	6
3.2 General	7
3.3 Batten	7
3.4 Bonding	7
3.4.1 Bonding methods	7
3.5 Cap	7
3.6 Collar	7
3.7 Crossties or intersection seal	7
3.8 Deck	7
3.9 Edge protector	7
3.10 End of load	7
3.11 Extra heavy weight units	7
3.12 Frame	7
3.12.1 Frame supports	8
3.13 Glue	8
3.13.1 Glued load	8

CONTENTS (continued)

<u>PARAGRAPH</u>		<u>PAGE</u>
3.13.2	Glued strip	8
3.13.3	Glue stripe	8
3.14	Heavy weight units	8
3.15	Interlocking pattern	8
3.16	International Organization for Standardization (ISO) container	8
3.17	Layer	8
3.18	Length of pallet	8
3.19	Lightweight units	8
3.20	Load	8
3.20.1	Load (or pallet) pattern	8
3.20.2	Load type	8
3.21	Margin	9
3.22	Medium weight units	9
3.23	Narrow unit	9
3.24	Nest	9
3.24.1	Nested packer	9
3.25	Overhang	9
3.26	Pallet	9
3.26.1	Pallet design	9
3.26.1.1	Pallet, full four-way entry	9
3.26.1.2	Pallet, partial four-way entry	9
3.26.1.3	Pallet, two-way entry	9
3.26.2	Pallet length	9
3.26.3	Pallet strips	10
3.27	Palletized unit load	10
3.28	Pallet width	10
3.29	Separator	10
3.29.1	Separators, container	10
3.29.2	Separators, horizontal	10
3.29.3	Separators, vertical	10
3.30	Sheathing	10
3.31	Shrink wrapping	10
3.32	Side of the load	10
3.33	Spacer, notched	10
3.34	Stability dunnage	11
3.35	Strap	11

CONTENTS (continued)

<u>PARAGRAPH</u>		<u>PAGE</u>
3.35.1	Strap, auxiliary	11
3.35.2	Strap, horizontal	11
3.35.3	Strap, load	11
3.35.4	Strap, over-the-load	11
3.35.5	Strap, tie-down	11
3.35.6	Straps, primary	11
3.35.7	Straps, secondary	11
3.36	Strapped load	11
3.37	Strapped unit	11
3.38	Stretch wrap	11
3.39	Stringer	11
3.40	Substantial unit (box)	11
3.41	Support load	12
3.42	Supports, separator	12
3.43	Supports, vertical	12
3.44	Top nesting units	12
3.45	Underhang	12
3.46	Unit	12
3.47	Unit load	12
3.48	Unitized load	12
3.49	Unstable unit	12
3.50	Vertical row	12
3.51	Weight/volume categories of units	12
3.52	Width of pallet	12
3.53	Wing pallet	12
4.	GENERAL REQUIREMENTS	13
4.1	Formation of the load	13
4.1.1	Load types	13
4.1.2	Load size	13
4.1.3	Load patterns	13
4.1.4	Use of appendixes when forming the load	13
4.1.5	Wrapping	13
4.1.6	Types of pallets	14
4.1.6.1	ANSI-MH1	14
4.1.6.2	MIL-DTL-15011	14

CONTENTS (continued)

<u>PARAGRAPH</u>		<u>PAGE</u>
4.1.6.3	Other wood pallets	14
4.1.7	Lumber quality	14
5.	DETAILED REQUIREMENTS	16
5.1	Formation of the palletized load	16
5.1.1	Palletized unit load size and weight	16
5.1.1.1	Size	16
5.1.1.2	Weight limits	17
5.1.1.3	Decreasing weight of unit loads	17
5.1.2	Other palletized unit load sizes	17
5.1.2.1	Modular size unit loads	17
5.1.2.2	Pallet load sizes for Navy afloat units	17
5.1.2.3	Pallet load sizes for North Atlantic Treaty Organization (NATO) forces	17
5.2	Load types	18
5.2.1	Load type I	18
5.2.1.1	Load type Ia	18
5.2.2	Load type II	18
5.2.3	Load type III	18
5.2.3.1	Load type IIIa	18
5.2.4	Load type IV	18
5.2.5	Load type V	18
5.2.6	Load type VI	18
5.2.7	Load type VII	19
5.2.8	Load type VIII	19
5.2.9	Load type IX	19
5.2.10	Load type X	19
5.2.11	Load type XI	19
5.2.12	Load type XII	19
5.2.12.1	Load type XIIa	19
5.2.12.2	Load type XIIb	20
5.2.12.3	Load type XIIc	20
5.2.13	Load type XIII	20
5.2.14	Load type XIV	20
5.2.15	Load type XV	20
5.2.16	Load type XVI	20
5.2.17	Load type XVII	20

CONTENTS (continued)

<u>PARAGRAPH</u>		<u>PAGE</u>
5.2.18	Load type XVIII	21
5.3	Bonding methods	21
5.3.1	Glue bonding	21
5.3.1.1	Glue bonding method A (glue stripes)	21
5.3.1.2	Glue bonding method B (glued strips)	21
5.3.2	Strapping	22
5.3.2.1	Metallic strapping	22
5.3.2.2	Nonmetallic strapping	22
5.3.2.3	Determination of strap size	22
5.3.2.3.1	Tie-down strap size	22
5.3.2.3.2	Horizontal strap size	22
5.3.2.4	Securing straps	22
5.3.2.4.1	Sequence of securing straps	22
5.3.2.4.2	Edge protectors	23
5.3.2.4.3	Crossties or intersection seals	23
5.3.3	Strap bonding methods	23
5.3.3.1	Bonding method C (horizontal straps)	23
5.3.3.2	Bonding method D (tie-down straps)	24
5.3.3.3	Bonding method E (load straps, auxiliary)	25
5.3.4	Shrink- and stretch-wrap bonding	25
5.3.4.1	Bonding method F (shrink wrap)	25
5.3.4.2	Bonding method G (stretch wrap)	26
5.4	Stability dunnage	26
5.4.1	Metallic edge protectors (stability dunnage type 1)	26
5.4.2	Nonmetallic edge protectors (stability dunnage type 2)	27
5.4.3	Caps	27
5.4.3.1	Canvas cap (stability dunnage type 3)	27
5.4.3.2	Fiberboard cap (stability dunnage type 4)	27
5.4.3.3	Wood cap (stability dunnage type 5)	28
5.4.3.4	Tray caps (stability dunnage type 6)	29
5.4.3.5	Double tray cap (stability dunnage type 7)	29
5.4.4	Canvas cover (stability dunnage type 8)	30
5.4.5	Weatherproof wrapping (stability dunnage type 9)	30
5.4.6	Frames	30
5.4.6.1	Side frames (stability dunnage type 10)	31
5.4.6.2	Top frame (stability dunnage type 11)	31

CONTENTS (continued)

<u>PARAGRAPH</u>		<u>PAGE</u>
5.4.6.3	End frames (stability dunnage type 12)	32
5.4.7	Frame supports (stability dunnage type 13)	32
5.4.8	Separator supports (stability dunnage type 14)	33
5.4.9	Separators	33
5.4.9.1	Horizontal fiberboard separator (stability dunnage type 15)	33
5.4.9.2	Horizontal wood separator (stability dunnage type 16)	34
5.4.9.3	Separator for nested containers (stability dunnage type 17)	34
5.4.9.4	Vertical wood separators (stability dunnage type 18)	34
5.4.10	Pallet strips (stability dunnage type 19)	34
5.4.11	Battens	34
5.4.11.1	Battens, cross-strap (stability dunnage type 20)	35
5.4.11.2	Battens, under- or over-the-load (stability dunnage type 21)	35
5.4.11.3	Battens, oxygen cylinder or gas cylinder (stability dunnage types 22 and 23)	36
5.4.12	Wood collar (stability dunnage type 24)	36
5.4.13	Notched wood spacer (stability dunnage type 25)	36
5.4.14	Sectional pallet box (stability dunnage type 26)	36
5.4.15	Nested packer (stability dunnage type 27)	37
5.4.16	Chimney filler (stability dunnage type 28)	37
5.4.17	Polyethylene sheeting, 1mil (stability dunnage type 29)	37
5.5	Marking	37
5.5.1	Marking variations	37
6.	NOTES	38
6.1	Intended use	38
6.1.1	Validation	38
6.1.2	Limitation	38
6.1.3	Quality of wood pallets	38
6.1.3.1	Lumber quality	38
6.1.3.2	Additional wood pallets requirements	38
6.2	Supersession data	39
6.3	Subject term (key word) listing	39
6.4	International standardization agreement implementation	39
6.5	Changes from previous issue	39

CONTENTS (continued)

<u>FIGURE</u>		<u>PAGE</u>
1.	Types of pallets	15
2.	Palletized unit load sizes	40
3.	Other palletized unit load sizes	40
4.	Load type I	41
5.	Load type Ia	41
6.	Load type II (unstrapped and strapped)	41
7.	Load type III	42
8.	Load type IIIa	42
9.	Load type IV (unstrapped and strapped)	42
10.	Load type V (unstrapped and strapped)	43
11.	Load type VI (unstrapped and strapped)	43
12.	Load type VII (unstrapped and strapped)	44
13.	Load type VIII (unstrapped and strapped)	44
14.	Load type IX (unstrapped and strapped)	45
15.	Load type X (unstrapped and strapped)	46
16.	Load type XI (unstrapped and strapped)	46
17.	Load type XII (unstrapped and strapped)	47
18.	Load type XIIa (unstrapped and strapped)	47
19.	Load type XIIb (unstrapped and strapped)	48
20.	Load type XIIc (strapped)	48
21.	Load type XIII (unstrapped and strapped)	49
22.	Load type XIV (unstrapped and strapped)	49
23.	Load type XV (unstrapped and strapped)	50
24.	Load type XVI	50
25.	Load type XVII	51
26.	Load type XVIII	51
27.	Bonding method A (glue strips)	51
28.	Bonding method B (glued strips)	52
29.	Bonding method C (top layer or single layer)	53
30.	Bonding method C (each layer)	53
31.	Bonding method C (each layer except top layer)	54
32.	Bonding method C (bottom of framed load outside the frame)	54
33.	Bonding method C (top of a framed load outside the frame)	55

CONTENTS (continued)

<u>FIGURE</u>		<u>PAGE</u>
34.	Bonding method C (center of a framed load outside the frame)	55
35.	Bonding method C (one strap at bottom of a load of compressed gas cylinders outside the battens)	56
36.	Bonding method D (tie-down straps)	56
37.	Bonding method E (auxiliary straps)	57
38.	Bonding method F (shrink wrap)	57
39.	Bonding method G (stretch wrap)	58
40.	Stability dunnage type 4 (fiberboard cap - one piece construction)	58
41.	Stability dunnage type 5 (open and closed wood caps)	59
42.	Stability dunnage type 6 (open and closed tray caps)	60
43.	Stability dunnage type 7 (double tray caps)	60
44.	Top, side, or end frame (typical)	61
45.	Stability dunnage type 15 or 16 (horizontal separator - fiberboard or wood)	61
46.	Stability dunnage type 18 (vertical wood separator)	61
47.	Stability dunnage type 19 (pallet strips)	62
48.	Stability dunnage type 20 (cross-strap battens)	62
49.	Stability dunnage type 21 (battens under- or over-the-load)	63
50.	Stability dunnage type 25 (notched spacers)	64
51.	Stability dunnage type 25 (notched spacers)	64
52.	Stability dunnage type 28 (chimney filler)	65
<u>APPENDIXES</u>		<u>PAGE</u>
APPENDIX A. CLASSIFICATION OF COMMODITIES OR UNITS BY LOAD TYPE		66
A.1	SCOPE	66
A1.1	Scope	66
A.2	LOAD TYPES, BONDING METHODS, AND STABILITY DUNNAGE	66
A.2.1	Load types	66
A.2.2	Bonding methods	68
A.2.3	Stability dunnage	68

CONTENTS (continued)

<u>APPENDIXES</u>	<u>PAGE</u>
A.3 CLASSIFICATION OF COMMODITIES AND CONTAINERS	70
A.3.1 List of commodities and containers	70
APPENDIX B. LOAD PATTERN SELECTION	77
B.1 SCOPE	77
B.1.1 Scope	77
B.2 DETERMINATION OF LOAD PATTERNS	77
B.2.1 Use of table B-I	77
B.2.2 Use of figure B-1	77
<u>TABLE</u>	<u>PAGE</u>
B-I Load pattern determination	78
<u>FIGURE</u>	<u>PAGE</u>
B-1 Load pattern on 40- by 48-inch pallets	81
APPENDIX C. STANDARD CONTAINERS FOR MODULAR PACKAGING UNITIZATION	86
C.1 SCOPE	86
C.1.1 Scope	86
C.2 APPLICABLE DOCUMENTS	86
C.2.1 General	86
C.2.2 Government documents	86
C.2.2.1 Specifications, standards, and handbooks	86
C.3 STANDARD UNIT AND INTERMEDIATE CONTAINERS	87
C.3.1 General specifications and classifications	87
C.3.2 Dimensions	87

CONTENTS (continued)

<u>APPENDIXES</u>	<u>PAGE</u>
C.4 STANDARD EXTERIOR CONTAINERS	87
C.4.1 General specifications and classifications	87
C.4.2 Dimensions	87
C.4.3 Maximum weight limitations	87
C.5 STANDARD CARTON DETERMINATION, SELECTION, AND APPLICABILITY	88
C.5.1 Standard carton determination	88
C.5.2 Unit and intermediate standard container selection	88
C.5.3 Exterior standard container selection	88
C.6 PALLETIZED UNIT LOADS	89
C.6.1 Palletized unit load arrangements	89
C.6.2 Palletized unit load arrangements for standard exterior cartons of the same size	89
C.6.3 Palletized unit load arrangements for standard exterior cartons of mixed sizes	89
C.6.4 Palletized unit load arrangement applicability	89
C.6.5 Palletized unit load height and weight limitations	89
C.6.6 Securing unitized loads to pallets	89
<u>TABLE</u>	<u>PAGE</u>
C-I Standard unit containers	90
C-II Standard unit and intermediate containers	90
C-III Standard exterior cleated plywood containers	91
C-IV Standard exterior nailed wood containers	91
C-V Standard exterior wirebound containers	92
C-VI Standard exterior triple-wall fiberboard containers	92
C-VII Standard exterior double-wall fiberboard containers	93
C-VIII Unit load arrangement of exterior containers on a 40- by 48-inch pallet	93

CONTENTS (continued)

<u>FIGURE</u>		<u>PAGE</u>
C-1	Unit load arrangement for standard exterior container No.15 (same size)	94
C-2	Unit load arrangement for standard exterior container No. 16 (same size)	94
C-3	Unit load arrangement for standard exterior container No. 17 (same size)	95
C-4	Unit load arrangement for standard exterior container No. 18 (same size)	95
C-5	Unit load arrangement for standard exterior containers Nos. 15, 17, and 18 (mixed sizes)	96
C-6	Unit load arrangement for standard exterior containers Nos. 16, 17, and 18 (mixed sizes)	96
INDEX		97
CONCLUDING MATERIAL		104

THIS PAGE IS INTENTIONALLY LEFT BLANK

1. SCOPE

1.1 Scope. This standard establishes the methods, materials, and techniques to be employed in the formation of bonded palletized unit loads of military supplies, which are adaptable to unit loading. The methods prescribed herein are to be utilized with standard, general purpose, 40- by 48-inch pallets conforming to the various classes, types, and styles in ANSI-MH1, Part 9. However, the various methods of bonding and types of stability dunnage may be modified for use with other size pallets.

1.1.1 Limitation. This standard will not be used for the palletization of ammunition, explosives, or semiperishable subsistence unless specifically prescribed by the procuring activity (see 6.1.2).

1.2 Application. As specified within, the contents of this standard apply to contracts requiring the preparation and shipment of bonded palletized unit loads for DoD facilities. It is also applicable for the movement of materiel between or within the military services.

1.2.1 Direction. The requirements herein may be applied independently or collectively. Variations from the load types or in the application and use of bonding methods and stability dunnage to meet unusual requirements are permitted but are to be coordinated with and approved by the procuring activity prior to implementation. The applicable loading patterns are listed numerically in figure B-1 of Appendix B. Determination of the applicable pattern should be accomplished by referring to table B-I of Appendix B. Loads will be tied by reversing the pattern for each layer.

1.3 Customary units-metric units conversion. Throughout this standard, dimensions are given in inches (inch), and weight is given in pounds (lb). For ease of reference and conversion to metric, 1 inch is equivalent to 25.4 millimeters (mm) and 1 lb is equivalent to 0.454 kilograms (kg).

2. APPLICABLE DOCUMENTS

2.1 General. The documents listed in this section are specified in sections 3, 4, or 5 of this standard. This section does not include documents cited in other sections of this standard or recommended for additional information or as examples. While every effort has been made to ensure the completeness of this list, document users are cautioned that they must meet all specified requirements of documents cited in sections 3, 4, or 5 of this standard, whether or not they are listed.

2.2 Government documents.

2.2.1 Specifications and standards. The following specifications and standards form a part of this document to the extent specified herein. Unless otherwise specified, the issues of these documents are those cited in the solicitation or contract.

INTERNATIONAL STANDARDIZATION AGREEMENTS

STANAG 2828 - Military Pallets, Packages and Containers

(Copies of Standardization Agreements (STANAGs) are available at <http://nso.nato.int/nso/> or from the NATO Standardization Agency (NSA), North Atlantic Treaty Organization HQ, Boulevard Leopold III B-1110, Brussels, Belgium.)

FEDERAL SPECIFICATIONS

MMM-A-260 - Adhesive, Water-Resistant, (for Sealing Waterproofed Paper)

COMMERCIAL ITEM DESCRIPTIONS

A-A-203 - Paper, Kraft, Untreated
A-A-3174 - Plastic Sheet, Polyolefin
A-A-55057 - Panels, Wood/Wood Based; Construction and Decorative
A-A-59692 - Adhesive, Water-Resistant (for Closure of Fiberboard Boxes)

DEPARTMENT OF DEFENSE SPECIFICATIONS

MIL-DTL-4 - Tires and Inner Tubes (Non-Aircraft); Packaging of
MIL-DTL-15011 - Pallets, Material Handling, Wood Post Construction, 4-Way
Entry

DEPARTMENT OF DEFENSE STANDARDS

MIL-STD-129 - Standard Practice for Military Marking for Shipment and Storage

MIL-STD-290 - Packaging of Petroleum and Related Products

(Copies of these documents are available online at <https://quicksearch.dla.mil> or <https://assist.dla.mil> .)

2.2.2 Other Government documents, drawings, and publications. The following other Government documents, drawings, and publications form a part of this document to the extent specified herein. Unless otherwise specified, the issues of these documents are those cited in the solicitation or contract.

DEPARTMENT OF COMMERCE

Voluntary Product Standard (PS) PS-1 - Structural Plywood

(Copies of PS-1 are available online at <http://www.apawood.org> or from the Engineered Wood Association, 7011 South 19th Street, Tacoma, WA 98466-5333, telephone (253) 565-6600, Product support (253) 620-7400.)

DEPARTMENT OF DEFENSE MANUALS

DoDM 4140.65 - Issue, Use, and Disposal of Wood Packaging Material (WPM)

(Copies are available online at <http://www.esd.whs.mil/Directives/issuances/dodm/> .)

INTERNATIONAL PLANT PROTECTION CONVENTION (IPPC)

International Standard for Phytosanitary Measures No. 15 (ISPM 15) - Regulation of Wood Packaging Material in International Trade

(Copies of ISPM 15 are available online at <https://www.ippc.int/> or from the IPPC Secretariat, Food and Agriculture Organization of the United Nations, AGDI, Viale Delle Terme di Caracalla, 00153 Rome, Italy, telephone +39-06-5705-4812, or email: IPPC@fao.org .)

2.3 Non-Government publications. The following documents form a part of this document to the extent specified herein. Unless otherwise specified, the issues of these documents are those cited in the solicitation or contract.

MATERIAL HANDLING INDUSTRY (MHI)

ANSI-MH1 - Pallets, Slip Sheets, and Other Bases for Unit Loads

(Copies of MH1 are available online at <https://www.ansi.org> or from the American National Standards Institute, 25 West 43rd Street, 4th Floor, New York, NY 10036, telephone (212) 642-4900, fax (212) 398-0023, Customer Service or Document Sales (212) 642-4980. Copies may also be obtained at <http://www.mhi.org> or from the Material Handling Industry, 8720 Red Oak Boulevard, Suite 201, Charlotte, NC 28217-3996, telephone (704) 676-1190, fax (704) 676-1199.)

AMERICAN LUMBER STANDARD COMMITTEE (ALSC), INCORPORATED (Inc.)

ALSC, Inc. - Wood Packaging Material (WPM) Policy
ALSC, Inc. - Wood Packaging Material (WPM) Enforcement Regulations

(Copies of ALSC, Inc. Wood Packaging Material Policy may be obtained online at http://www.alsc.org/greenbook%20collection/WPM_Policy.pdf and http://alsc.org/greenbook%20collection/WPM_Fumigation_Policy.pdf. Copies of ALSC, Inc. Wood Packaging Material Enforcement Regulations can be found online at http://www.alsc.org/greenbook%20collection/WPM_Enforcement_Regulations.pdf and http://alsc.org/greenbook%20collection/WPM_Fumigation_Enforcement_Regulations.pdf. Requests for copies of Policy and Enforcement Regulations can also be addressed to ALSC, Inc., 7470 New Technology Way, Suite F, Frederick, MD 21703, telephone (301) 972-1700, fax (301) 540-8004, or email: alsc@alsc.org.)

ASTM INTERNATIONAL

ASTM D996 - Standard Terminology of Packaging and Distribution Environments
ASTM D3950 - Standard Specification for Strapping, Nonmetallic, (and Joining Methods)
ASTM D3953 - Standard Specification for Strapping, Flat Steel (and Seals)
ASTM D4675 - Standard Guide for Selection and Use of Flat Strapping Materials
ASTM D4727/
D4727M - Standard Specification for Corrugated and Solid Fiberboard Sheet Stock (Container Grade) and Cut Shapes
ASTM D5486/
D5486M - Standard Specification for Pressure-Sensitive Tape for Packaging, Box Closure, and Sealing 1, 2
ASTM D6199 - Standard Practice for Quality of Wood Members of Containers and Pallets
ASTM F1667 - Standard Specification for Driven Fasteners: Nails, Spikes and Staples

| (Copies of ASTM International standards are available at <http://www.astm.org/Standard/> or
| from ASTM International, 100 Barr Harbor Drive, P.O. Box C700, West Conshohocken, PA
| 19428-2959, telephone (877) 909-2786 (USA & Canada), (610) 832-9585 (International).)

2.4 Order of precedence. Unless otherwise noted herein or in the contract, in the event of a conflict between the text of this document and the references cited herein, the text of this document takes precedence. Nothing in this document, however, supersedes applicable laws and regulations unless a specific exemption has been obtained.

3. DEFINITIONS

3.1 Abbreviations. The following authorized abbreviations are provided for information purposes only and should not be misinterpreted by contractors for unit of issue abbreviations. The correct unit of issue for marking is the unit of issue shown in the contract or requisition. Abbreviations of the item descriptions will be permitted when approved by the procuring activity concerned.

a. Package units:

Assembly	(AY)	Key	(KE)	Pallet	(PT)
Carton	(CT)	Kit	(KT)	Piece	(PC)
Case	(CS)	Packaging	(PG)	Set	(SE)
Crate	(CR)	Pail	(PL)	Unit	(UN)

b. Quantitative units/expressions:

Bale	(BE)	Coil	(CL)	Pair	(PR)
Barrel	(BL)	Dozen	(DZ)	Reel	(RL)
Box	(BX)	Drum	(DR)	Roll	(RO)
Bundle	(BD)	Each	(EA)	Spool	(SP)
Can	(CN)	Hundred	(HD)	Thousand	(MX)

c. Weights and measure units:

Centimeter	(cm)	Inch	(in)	Ounce	(oz)
Cubic foot	(cf)	Kilogram	(kg)	Pint	(pt)
Cubic inch	(ci)	Kilometer	(km)	Pound	(lb)
Cubic meter	(cm)	Liter	(li)	Quart	(qt)
Foot	(ft)	Meter	(m)	Square foot	(sf)
Gallon	(gal)	Milliliter	(ml)	Square inch	(sq in)
Gram	(gm)	Millimeter	(mm)	Square meter	(sq m)

d. Miscellaneous abbreviations:

Ammunition	(ammo)	Invoice	(inv)	Quantity	(qty)
Battery	(btry)	Manufactured	(mfd)	Report	(rpt)
Copy	(cy)	Mark	(mk)	Requisition	(rqn)
Dimension	(dmn)	Military	(mil)	Vehicle	(ve)
Engine	(eng)	Packed	(pkd)		
Identification	(ident)	Pallet	(plt)		

3.2 General. General packaging and pallet definitions may be found in ANSI-MH1, Part 1; ASTM D996; the DoD Dictionary of Military and Associated Terms at <http://www.jcs.mil/Doctrine>; or in other referenced documents. For purposes of this standard, the following definitions are to apply:

3.3 Batten. A wooden member used to fill space, protect against damage, provide additional surface for strapping, or help create a stable load.

3.4 Bonding. The securing of units of materiel on a pallet to form a consolidated and stable load, which itself can be handled as a unit.

3.4.1 Bonding methods (previously called "bonding means"). The means used to secure units on and to a pallet to form a load.

3.5 Cap. A cover, with sides extending perpendicular from its perimeter, which is used to protect against damage or to help create a stable load. Made from canvas, fiberboard, wood, or plywood, a cap may be used over the load, inverted under a load, or used under or over intermediate layers.

3.6 Collar. Fixed, hinged, removable, or collapsible horizontal solid, slatted, or mesh, framing members which tie together vertical elements of pallet superstructure; also, element on top of pallet deck to contain unit load placed on pallet; rail.

3.7 Crossties or intersection seal. A 2-way seal applied to straps intersecting at right angles and crimped to prevent lateral movement of the straps.

3.8 Deck. Top or bottom surface of pallet, consisting of one or more pieces, that is, slatted, close-boarded, or solid.

3.9 Edge protector. A right-angle piece placed over the edge of boxes, crates, bundles and gates, or bracing to distribute the pressure from metal bands or ties in order to prevent cutting.

3.10 End of load. The vertical surface of a load along the 40-inch length of the pallet.

3.11 Extra heavy weight units. Units weighing more than 45 pounds per cubic foot.

3.12 Frame. A wooden structure, consisting of wood or plywood sheathing, which is nailed to stringers and used to protect the load or to help stabilize the load by containing, compacting, compressing, or supporting the units in the load.

3.12.1 Frame supports. Boards placed on the pallet deck under a load to carry the weight of the frame used with the load. A method of structuring corner board supports and stringers to the pallet to provide additional support for stacking pallets upon one another when the load will not support stacking by itself.

3.13 Glue. A water-resistant adhesive compound which will bond units to the pallet and to each other to prevent lateral movement, but which will permit their vertical removal at the point of use without damage to the container or its contents.

3.13.1 Glued load. A load bonded with glue or glued strips.

3.13.2 Glued strip. A piece of chipboard or paperboard, with glue applied to both sides, used to bond units to the pallet and to each other. Paperboard is made chiefly from repulped newspaper.

3.13.3 Glue stripe. Glue applied manually or mechanically to a pallet or container.

3.14 Heavy weight units. Units having a density of over 32 pounds per cubic foot, but not more than 45 pounds per cubic foot.

3.15 Interlocking pattern. An arrangement of units in successive layers, by which the units in one layer overlap the inner edges of units in the adjacent layers by 2 inches or more.

3.16 International Organization for Standardization (ISO) container. Freight container complying with all relevant ISO container standards in existence at the time of its manufacture.

3.17 Layer (previously called "course"). A horizontal layer of units in a load.

3.18 Length of pallet. For this standard, the length is the 40-inch dimension of the pallet.

3.19 Lightweight units. Units having a density of not more than 15 pounds per cubic foot.

3.20 Load. As used in this standard, "load" indicates a stable palletized unit.

3.20.1 Load (or pallet) pattern. The arrangement of layers on a pallet in such a manner as to use the greatest number of units within weight and dimension limits. Whenever possible, layers should interlock, and void spaces should be eliminated.

3.20.2 Load type. A qualitative description of the contents of a container with respect to density, fragility, and degree of blocking, bracing, and cushioning necessary.

3.21 Margin. The amount of pallet deck at the edge or edges of a load, which is not covered by the load.

3.22 Medium weight units. Units having a density of over 15 pounds per cubic feet, but not more than 32 pounds per cubic foot.

3.23 Narrow unit. A unit, which has a base not greater than 6- by 6-inches square or 6 inches in diameter when stacked in the load.

3.24 Nest. A group of articles, cans, baskets, or boxes of various sizes that fit one within the other.

3.24.1 Nested packer. A container provided with interior partitions into which small units can be packed.

3.25 Overhang. Distance of deck or deckboard extending from outer face of outer pallet stringer, stringerboard, or block; wing; lip; cantilever. Also, the distance the unit load is extending beyond ends or sides of the deck.

3.26 Pallet. A low, portable, horizontal platform device used as a base for assembling, storing, handling, and transporting materiel and products in a unit load.

3.26.1 Pallet design. Construction of a pallet to allow for easy entry. The most common designs of wooden pallets are two- and four-way entry.

3.26.1.1 Pallet, full four-way entry. Pallet with openings at both opposite ends and sides, with unlimited accessibility of all openings to common materials handling equipment. Block pallets with unidirectional perimeter boards or without bottom deck.

3.26.1.2 Pallet, partial four-way entry. Pallet with openings at both ends and sides, with limited accessibility of openings to common materials handling equipment. Notched stringer pallet and block pallet with overlapping bottom stringerboards and deckboards.

3.26.1.3 Pallet, two-way entry. Pallet with openings, accepting materials handling equipment, only at two opposite ends. Pallet without notches in stringers.

3.26.2 Pallet length. Pallet dimension between the extreme pallet ends, parallel to and corresponding to the length of the stringers or top stringerboards; refers to first dimension when describing pallet size. For this standard, the length is the 40-inch dimension of the pallet.

3.26.3 Pallet strips. Narrow lengths of light wood, which are nailed to the pallet deck, or inside an inverted cap, to provide slots for the rigid positioning of vertical separators.

3.27 Palletized unit load. Quantity of any item, packaged or unpackaged, which is arranged on a pallet in a specified manner and securely strapped or fastened thereto so that the whole is handled as a unit.

3.28 Pallet width. Pallet dimension between extreme pallet sides, parallel to and corresponding to the length of top deckboards; refers to second dimension when describing pallet size. For this standard, the width is the 48-inch dimension.

3.29 Separator. Any material interposed between articles or packing components.

3.29.1 Separators, container. Strips of fiberboard used between empty containers when nested inside one another to prevent them from binding and making their separation difficult.

3.29.2 Separators, horizontal. Pieces of fiberboard or light wood placed between layers in a load to prevent damage to the units or to make a stable load.

3.29.3 Separators, vertical. Strips of fiberboard or lightweight wood placed on edge between rows of units in alternate layers. The separators run crosswise and lengthwise on the pallet to form cells for the individual units and are used as a protection against damage to the units.

3.30 Sheathing. Lumber or sheet materials, such as plywood, fiberboard or other suitable panel or sheet material fastened to the frame across the openings of a crate to deter pilferage, or entry of dirt or water or of other articles.

3.31 Shrink wrapping. A process of enclosing a load (usually pallet size) in a preformed polymer bag or polymer roll stock. With the application of heat, a reduction of the enclosure size occurs, thus creating a firm form fit around the load.

3.32 Side of the load. The vertical surface of a load along the 48-inch width of the pallet.

3.33 Spacer, notched. A piece of heavy lumber cut out across one face or opposing faces at regular intervals, which is placed underneath and between layers of horizontally stacked units. It protects the units against damage or makes a stable load by supporting the units.

3.34 Stability dunnage. Materials used to form a stable load by containment, compression, compaction, or support when bonding alone is insufficient. Also used as protection against damage to, or pilferage of, the materiel in the load.

3.35 Strap. A length of metal or nonmetallic material placed around a load to compact and bond the load under tension.

3.35.1 Strap, auxiliary. Any over-the-load strap, tie-down or load, which is not a primary or secondary strap.

3.35.2 Strap, horizontal. A strap secured around the load parallel to the pallet deck.

3.35.3 Strap, load. An over-the-load strap that passes under the load but not under the pallet deck.

3.35.4 Strap, over-the-load. A strap, which is secured on the top of the load, either, a tie-down strap or a load strap.

3.35.5 Strap, tie-down. An over-the-load strap, which passes under the pallet deck.

3.35.6 Straps, primary. The first two tie-down straps secured to a load passing over the load and under the pallet deck in the 40-inch direction inside the outboard pallet stringers.

3.35.7 Straps, secondary. The first two tie-down straps secured to a load passing over the load and under the pallet deck in the 48-inch direction and through the strapping slots in the stringers.

3.36 Strapped load. A load, which is bonded to the pallet by the proper number and type of tie-down straps.

3.37 Strapped unit. A unit, which has been bound by flat or round strapping.

3.38 Stretch wrap. Tightly fitting, stretched, extensible, plastic film around loose or palletized goods often including pallet, held under tension by heat-sealing or frictional device.

3.39 Stringer. Continuous, longitudinal, solid, built-up, or notched beam component of pallet, supporting and spacing deck components, often identified by location as outer, interior, or center stringer, also known as bearer, runner.

3.40 Substantial unit (box). A unit or filled box, which, with other like units, will form a stable load without additional stability dunnage.

3.41 Support load. A load, which will safely support a minimum, superimposed weight of 9,000 pounds or three loads of like materiel without rocking, buckling, listing, or causing damage to the materiel in the load.

3.42 Supports, separator. Boards of at least 1-inch nominal thickness used horizontally on edge to separate rows of units in a layer and to support the weight of superimposed pallet loads.

3.43 Supports, vertical. Boards of at least 1- by 4-inch nominal measurement applied vertically within corners of wood caps to prevent compaction of nested, tapered cans.

3.44 Top nesting units. Units with tops which have flared or raised rims and bottoms of such dimension that they may be placed or nested within the tops of like units for loading.

3.45 Underhang. That portion of the unit load less than the length or width dimension(s) of a pallet, also known as margin.

3.46 Unit. The container or item that forms a part of the load.

3.47 Unit load. An item or assemblage of items assembled or restrained for handling and transportation as a single entity.

3.48 Unitized load. A single item or a number of items packaged, packed, or arranged in a specified manner and capable of being handled as a unit. Unitization may be accomplished by placing the item or items in a container or by banding them securely together.

3.49 Unstable unit. A unit that will not form a stable load unless stability dunnage such as caps, trays, or frames are used in addition to bonding.

3.50 Vertical row. A column of units in a load, perpendicular to the pallet deck, which is not in an interlocking pattern.

3.51 Weight/volume categories of units. Weight/volume categories into which units have been divided in order to determine the bonding and stability dunnage to be used in forming stable loads.

3.52 Width of pallet. The horizontal dimension at right angles to the pallet length. For this standard, the width is the 48-inch dimension.

3.53 Wing pallet. A pallet whose decks protrude along two sides beyond the outer edges of the deck spacers.

4. GENERAL REQUIREMENTS

4.1 Formation of the load.

4.1.1 Load types. Loads are grouped into load types for the designation of bonding methods and stability dunnage.

4.1.2 Load size. Limitations on weights and dimensions have been established for uniform loads that meet the requirements of military and nonmilitary agencies and can be handled by existing materials handling equipment. Variations in load size shall not affect the standard pallet size of 40- by 48-inches.

4.1.3 Load patterns. Units of uniform size and content shall be loaded on the pallet in a pattern, which will incorporate the greatest number practicable to effect maximum utilization of the area permitted by weight and dimension limits. The 124 load patterns shown in figure B-1 of Appendix B provide for efficient use of at least 80 percent of the 40- by 48-inch pallet surface and encompass containers ranging in size from 6 inches by 6 inches to 43 inches by 52 inches. These load patterns do not apply to ammunition, weapons, and components. To determine the proper load pattern number for containers of any size in the above range, refer to table B-I of Appendix B.

4.1.4 Use of appendixes when forming the load. Units have been grouped into load types according to their physical characteristics for subsequent designation of bonding methods and application of stability dunnage. The various load types, bonding methods, and stability dunnage associated with palletized unit loads are discussed in detail in section 5. Each load type covers one or more types of units intended for formation into palletized loads by the applications listed in Appendix A. All load types, bonding methods, and stability dunnage are listed in Appendix A. In addition, Appendix A contains a list of commodities or units and containers, with specific load types, bonding methods, and stability dunnage identified for use with each. The various combinations listed are not binding or mandatory but are recommended as the preferred bonding methods and stability dunnage to be used with the applicable commodities and load types. It should be stressed that the unitization method selected should be the one that makes the best use of available space in both the carrier and in storage. Bonding methods and stability dunnage listed in parentheses in A.3 of Appendix A are to be used to meet specific requirements, generally dictated by the physical nature of specific units or by the availability of the stability dunnage type designated.

4.1.5 Wrapping. Canvas, paper, polyethylene (PE), polyvinyl chloride (PVC), and ethylene vinyl acetate (EVA) films may be used as wrapping to encase an entire load or part of a load as required.

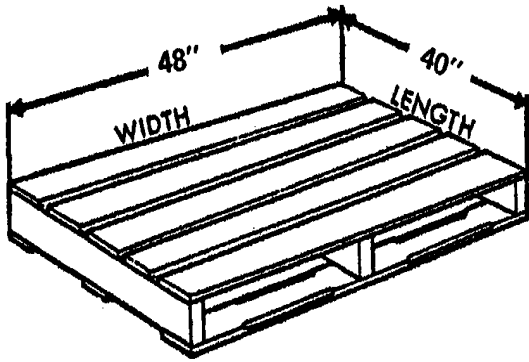
4.1.6 Types of pallets (see figure 1, page 14).

4.1.6.1 ANSI-MH1. Types of wood pallets intended for military use are provided in ANSI-MH1, Part 9. These pallets are commonly used by DoD activities for the handling, storage, and transportation of materiel. The preferred pallets used in the DoD distribution system are ANSI-MH1 part numbers MH1/9-02SW4048, MH1/9-03SW4048, MH1/9-05SW4048 or MH1/9-10BW4048. For shipments when the total weight is less than 1,500 pounds evenly distributed, pallets shall comply with ANSI-MH1, part number MH1/9-02SW4048. For shipments when the total weight is greater than 1,500 pounds, but less than 3,000 pounds evenly distributed, pallets shall comply with either ANSI-MH1, part numbers MH1/9-03SW4048, MH1/9-05SW4048 or MH1/9-10BW4048.

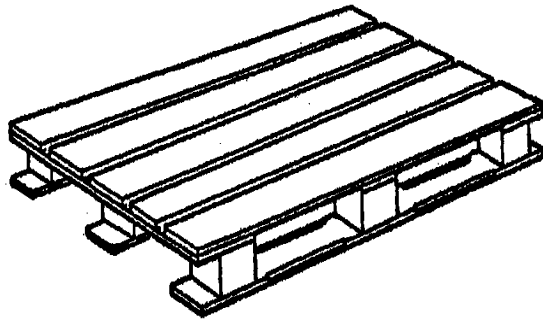
4.1.6.2 MIL-DTL-15011. The 4-way entry, double-wing, block pallet of MIL-DTL-15011, also listed in ANSI-MH1, Part 9, as part number MH1/9-11BW4048P, shall be used for the palletization of military supplies whenever 4-way entry is required in the storage and distribution system and in support of North Atlantic Treaty Organization (NATO) forces. Nonstandard 4-way entry 40- by 48-inch pallets should be reused for the storage and shipment of materiel to continental United States (CONUS) consignees. It is noted that STANAG 2828 allows for the use of both 32- by 48-inch and 40- by 48-inch post construction pallets. The primary ammunition pallet that meets STANAG 2828 complies with ANSI-MH1, part number MH1/9-11BW4048P.

4.1.6.3 Other wood pallets. Other types of wood pallets include the 2-way entry, double-wing, stringer and partial 4-way entry, flush, stringer pallets.

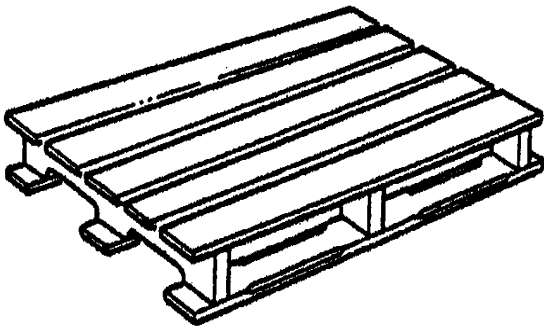
4.1.7 Lumber quality. Lumber used in the construction of palletized loads shall be well-seasoned, commercially dry lumber, which shall also be free from decay, waness, loose knots, knots that would interfere with nailing, and from other defects that would materially lessen its strength. Criteria for lumber quality can be found in ASTM D6199 and ANSI-MH1, Part 3 and Part 9. Wood packaging material, to include dunnage, shall comply and be marked in accordance with DoDM 4140.65 requirements; meet the directives in ISPM 15; and follow the ALSC, Inc. WPM Policy and WPM Enforcement Regulations.



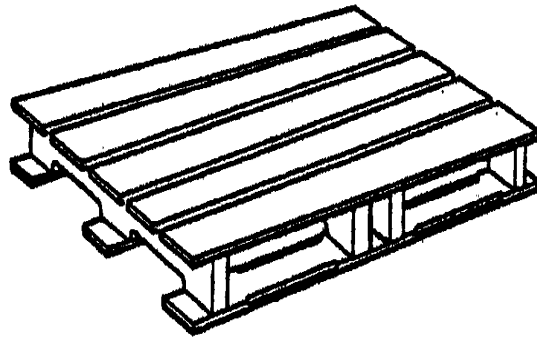
2-way entry, flush, stringer
(MH1/9-04SF4048)



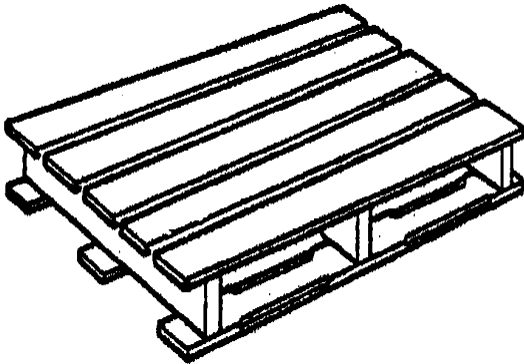
4-way entry, double-wing, block
(MH1/9-10BW4048, MH1/9-11BW4048P)



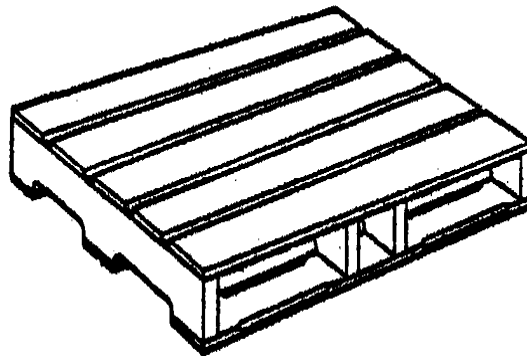
Partial 4-way entry, double-wing, stringer
(MH1/9-02SW4048, MH1/9-05SW4048)



Partial 4-way entry, double-wing, stringer
(MH1/9-03SW4048)



2-way entry, double-wing, stringer



Partial 4-way entry, flush, stringer

FIGURE 1. Types of pallets (see 4.1.6).

5. DETAILED REQUIREMENTS

5.1 Formation of the palletized load (see figures 2 and 3, page 39). Shipping containers in each palletized unit load shall be uniformly arranged in a load or pallet pattern as determined by table B-I and shown in figure B-1 of Appendix B. When the size of the individual shipping container does not fit any of the load patterns of table B-I, the proposed load pattern or request to use a different size pallet shall be submitted to the contracting officer for approval. The amount of materiel to be loaded on a pallet should exceed 250 pounds (excluding the pallet) or a volume of 20 cubic feet. The overall dimensions of palletized loads shall not exceed the applicable dimensions as shown. Shipping containers shall be stacked to form a compact squared load centered on the load base and shall be squared with all corners of the pallet. Overhang shall be avoided because of containerization requirements. Uniform sized containers on a pallet for shipment are to be stacked in a column and should have a sheet of paper or fiberboard placed between every other layer to increase load stability. Generally, 50-pound basis weight kraft paper is used for lightweight containers under 10 pounds. However, solid or corrugated fiberboard (CF) should be used for heavier containers. Shipping containers of type I loads, providing complete and uniform support to all faces of the shipping container, may be interlocked in a pallet load by reversing the patterns for each layer. Shipping containers of load types II and III should be column stacked on a pallet to provide greater stackability and supporting strength to the load. The top surface of the loading pallet shall be level or made level for stacking purposes. Applying a wooden top frame or leveling boards with supporting framework can accomplish this. Palletized loads for NATO forces shall be in accordance with 5.1.2.3. Whenever equalizing container sides with the side or ends of the pallet creates voids or gaps, any spaces created shall be filled with an appropriately shaped stability dunnage type (separator supports or chimney filler).

5.1.1 Palletized unit load size and weight. Dimensional and weight limitations apply to the complete load including pallet, bonding, and stability dunnage, and not merely to the stacked units.

5.1.1.1 Size (see figure 2, page 39). Unless otherwise specified by the procuring activity, unit loads prepared for shipment in International Organization for Standardization (ISO) configured freight containers, and passenger aircraft modified to transport cargo in the Civil Reserve Air Fleet (CRAF) shall not exceed 40 inches in length (end of load) and 48 inches in width (side of load). Unit loads prepared for shipment in ISO configured freight containers with an 8.5 ft height should not exceed 43 inches in height when 2-pallet high stacking is desirable. The height of the pallets should be related directly to their stackability in the carrier.

5.1.1.2 Weight limits. Weight limits apply to the entire load including the pallet, bonding methods, stability dunnage, and units. The maximum weight of a load for domestic, intercoastal, or overseas shipments shall not exceed 3,000 pounds per single pallet load. Shipments to NATO forces shall not exceed 2,500 pounds.

5.1.1.3 Decreasing weight of unit loads. When it is necessary to decrease the dimensions of a load in order to remain within the weight limitations, the height of the load will be decreased rather than decreasing its length or width.

5.1.2 Other palletized unit load sizes (see figure 3, page 39). This paragraph applies to unit load shipments that are not shipped by the containerization media or by CRAF. Unless otherwise specified, these unit loads shall not exceed 43 inches in length, 52 inches in width, and 54 inches in height.

5.1.2.1 Modular size unit loads. Unit loads of fiberboard modular sized containers conforming to the requirements in Appendix C shall not exceed 43 inches in height for ISO configured freight container shipments to ensure compatibility with various vertical door openings and when 2-pallet high stacking is desirable. The length and width of the containers shall be as shown in Appendix C, with no overhang permitted.

5.1.2.2 Pallet load sizes for Navy afloat units. Unit loads for delivery to Navy afloat units will not exceed 40 inches in length when the unit containers are not fully supported internally (for example, no overhang). When unit containers are fully supported, unit loads will not exceed 44 inches in length. This permits an overhang of 2 inches at each side of the pallet for fully supported unit containers (for example, wood boxes, metal containers, etc.). In addition, the height of palletized unit loads for delivery to Navy afloat units will be designed to best accommodate each identified ship's distribution and stowage system. The unit loads will be capable of being safely and efficiently loaded and stowed aboard Naval ships in a manner that maximizes stowage density while at the same time does not inhibit passage along the ship's primary and emergency passageways.

5.1.2.3 Pallet load sizes for NATO forces. The MIL-DTL-15011 pallet shall be used for shipments of palletized loads to NATO forces. The outer dimensions of the load in principle should not exceed the outer dimension of the pallet base however; the load may be permitted to exceed the outer pallet dimension by 1-½ inches on each side of the short dimension (40 inches) and by 2 inches on each end of the long dimension (48 inches). The maximum height and weight of the load shall not exceed 41 inches and 2,500 pounds, respectively. STANAG 2828 allows for the use of both 32- by 48-inch and 40- by 48-inch post construction pallets.

5.2 Load types. Wood used to fabricate caps, corner posts, and separators for the various load types shall conform to the requirements of ASTM D6199. In addition, instructions for lumber quality are found in paragraph 4.1.7.

5.2.1 Load type I (see figure 4, page 40). Load type I consists of wood or metal boxes or other stable, hard surface units stacked in single or multiple layers.

5.2.1.1 Load type Ia (see figure 5, page 40). Load type Ia consists of fiberboard boxes stacked in single or multiple layers. Containers not fully supported internally shall not permit pallet overhang.

5.2.2 Load type II (see figure 6, page 40). Load type II consists of rectangular-shaped bales or bundles enclosed in paper or cloth stacked in single or multiple layers.

5.2.3 Load type III (see figure 7, page 41). Load type III consists of closed-head, top-nesting, cylindrical or rectangular cans, pails, or buckets stacked in multiple layers utilizing an inverted wood cap under the load and a wood cap over the load.

5.2.3.1 Load type IIIa (see figure 8, page 41). Load type IIIa consists of closed-head, top-nesting, cylindrical cans, pails, or buckets stacked in multiple layers for shrink- or stretch-wrap palletization. Wood caps should not be used with this type load. Shrink-wrap bonding shall be used for nonflammable loads only.

5.2.4 Load type IV (see figure 9, page 41). Load type IV consists of cylindrical or rectangular cans or pails with removable covers containing paints, plastics, and semiliquids (grease and lard) and non-top-nesting, closed-head cans stacked in multiple layers with wood caps between layers.

5.2.5 Load type V (see figure 10, page 42). Load type V consists of tapered empty containers without covers such as buckets and trashcans nested inside one another to form telescoped stacks. Units shall be internally nested one on top of another to form alternately inverted stacks and shall be placed on an inverted wood cap. Corner supports, cut approximately $\frac{1}{4}$ of an inch shorter than the height of the stacks of nested units, shall be positioned accordingly, and a wood cap shall be placed over the units. The corner supports shall be nailed to the wood cap, with appropriate strapping applied. After tensioning, the corner supports shall be nailed to the inverted wood cap.

5.2.6 Load type VI (see figure 11, page 42). Load type VI consisting of units of flat paper stock or printed matter not encased in containers and rolls of cloth or fabric which require special weather protection shall be stacked in multiple layers, encased in a weatherproof wrapping, and framed. An inverted wood cap shall also be placed under and over the load.

5.2.7 Load type VII (see figure 12, page 43). Load type VII consists of individual units of storage batteries or glass window lights that are isolated from superimposed loads by vertical wood separators arranged on the pallet in single layers with an inverted wood cap over and under the load. The height of each unit shall not exceed 11 inches. Units containing glass window lights shall be stacked in the load so that the glass is on edge.

5.2.8 Load type VIII (see figure 13, page 43). Load type VIII consists of rectangular units with irregular surfaces, varying shapes, or non-interlocking surfaces such as coffee cans which have double tray caps between layers and an inverted wood cap under the load and a wood cap over the load. Strapping is also used. Lightweight, metal, rectangular units may use fiberboard caps or horizontal fiberboard separators in lieu of a double tray cap.

5.2.9 Load type IX (see figure 14, page 44). Load type IX consisting of large cylinders for the containment of oxygen, and other gases under pressure are arranged in a vertical unnested position on the pallet. A wood collar shall be used over the load, with battens placed around the bottom of the load with the lower edges resting on the pallet. Lumber shall be in nominal sizes.

5.2.10 Load type X (see figure 15, page 45). Load type X consists of cellular load formations such as cylindrical or rectangular cans containing welding electrodes, which require separation of units to prevent damage caused by component contact. Units shall be arranged in a single layer of perpendicular rows, with vertical wood separators placed between the rows to create cells for each of the units. The load shall be framed on the sides, ends, and top.

5.2.11 Load type XI (see figure 16, page 45). Load type XI consists of flexible, thin material such as rope, wire, or hose wound or coiled on reels or spools which are arranged in multiple layers consisting of not less than two rows in each direction. A cap, top frame, or battens may be used. Some of the units may be placed on edge along the center line of the load if their dimensions do not permit placing them in the preferred position.

5.2.12 Load type XII (see figure 17, page 46). Load type XII consists of drums or barrels arranged vertically in a single layer, with each row in the layer staggered. A wood cap shall be inverted under the load, and one shall be placed over the load. When shipping 55-gallon drums (empty or full), there will be no more than 3 drums per pallet, except as designated in the Arctic Supply System.

5.2.12.1 Load type XIIa (see figure 18, page 46). Load type XIIa consists of drums or barrels arranged vertically in a single layer, with each row in the layer staggered and with an inverted wood cap on the bottom and a wood cap over the top of the layer. Internal dimensions of the tray and cap are approximately 41 by 46 inches, and it shall be placed on the pallet with the 46-inch side arranged along the 48-inch dimension of the pallet.

5.2.12.2 Load type XIIb (see figure 19, page 47). Load type XIIb consists of drums or barrels arranged vertically in a single layer with each row staggered, but without caps. Shrink-wrap bonding may be used when the load is nonflammable. If the load is flammable, use load type XIIa. Stretch-wrap bonding may also be used for lightweight loads. When stretch wrap is used, horizontal fiberboard separators should also be used to increase the load-bearing area.

5.2.12.3 Load type XIIc (see figure 20, page 47). Load type XIIc consists of three 55-gallon drums or barrels arranged vertically in a single layer, with a double row and one staggered row with an inverted wood cap on the bottom and a wood cap over the top of the layer.

NOTE: For steel rimmed, open head drums, the overall exterior dimensions will exceed limits specified in paragraph 5.1.2, but shall not exceed 47 inches in length, 52 inches in width, and 54 inches in height.

5.2.13 Load type XIII (see figure 21, page 48). Load type XIII consists of cylindrical shaped items in rolls such as wire, cloth, canvas, wrapping paper, and sheet metal, which are stacked vertically in single or multiple layers. When small drums or barrels are stacked in multiple layers, the unit will have a wood cap over and under the load and a double tray wood cap between layers.

5.2.14 Load type XIV (see figure 22, page 48). Load type XIV consists of small units, not normally in overpack containers but capable of supporting superimposed loads, which are packed in a fiberboard nested packer.

5.2.15 Load type XV (see figure 23, page 49). Load type XV consists of units in cloth bags, plain paper bags, or lined paper bags, which are arranged in interlocking layers. Lined paper bags or multi-wall paper bags will generally require compression for bonding purposes. Fiberboard sheets should be placed on the deck of the pallet to prevent material such as flour or sugar from shifting through the slots. Shrink- or stretch-wrap bonding may be used with this type load.

5.2.16 Load type XVI (see figure 24, page 49). Load type XVI consists of units of great value or extreme fragility, or items of irregular shape, which cannot be formed into a stable load when overpacking is required to preclude pilferage or damage. These items may be packed in sectional pallet boxes.

5.2.17 Load type XVII (see figure 25, page 50). Load type XVII consists of units not over packed such as narrow and short drums and cans, small gas cylinders, hand fire extinguishers, and unstable units such as bags stacked on a long edge. These units shall be made up in framed loads.

5.2.18 Load type XVIII (see figure 26, page 50). Load type XVIII consists of minimum framed pallets to be used for loads that are not normally capable of supporting superimposed loads caused by the stacking of pallets in the normal depot fashion of 3 or 4 pallets high. The wood frame will be set on top of the deck of the pallet even with the outside of the perimeter.

5.3 Bonding methods. One or more of the bonding methods herein may be prohibited for specific modes of transport.

5.3.1 Glue bonding. Glue bonding methods A (glue stripes) and B (glued strips), as applicable to load type I, shall be used only when specified by the procuring activity. Bonding methods A and B may be used by themselves or in combination with other bonding methods when forming palletized unit loads. Glue bonding shall not be used with bagged materiel, metal containers, non-capped loads of substantial wooden boxes, or any load having both primary and secondary tie-down straps. Bonding with glue stripes shall be made on unstrapped fiberboard containers. The adhesive should set in approximately 10 minutes, binding the containers together, and, when unloaded at the destination, the containers should pull apart without disfiguring or tearing the fiber surfaces of the boxes. Bonding methods A and B may be accomplished with commercially available glue dispensing equipment. Although various types of adhesives may be used A-A-59692, MMM-A-260, or commercial equivalent, they must be applied as specified herein. Use bonding methods A and B only in loads when filled, lined paper bags can be compacted and are to be glued. When glue is not used for such units, horizontal straps, tie-down straps, canvas covers, and battens shall be employed.

NOTE: Adhesives containing class I and II Ozone Depleting Substances (ODS) shall not be used for any application or procedure in MIL-STD-147.

5.3.1.1 Glue bonding method A (glue stripes) see figure 27, page 50). Glue bonding method A consists of three glue stripes half an inch in width evenly spaced, running the full length of each unit. In mechanical application, the glue stripes shall be applied to the bottom surface by a power driven glue wheel applicator. In manual application, nine glue spots, approximately 3 inches in diameter and evenly spaced, shall be heavily brushed on the top deck boards of the pallet prior to formation of glued loads. When mechanical glue application is not available, gluing may be done manually with a small paintbrush. Three stripes shall be required for fiberboard boxes and fiberboard containers.

5.3.1.2 Glue bonding method B (glued strips) (see figure 28, page 51). Glued strips consist of chipboard not less than 0.03 inches thick, 4 inches wide, and 20 to 24 inches long, coated uniformly on both sides with glue applied either manually or mechanically. Glued strips shall provide an adequate bonding surface for the bonding of loads of rectangular nonmetal units, which have cleats, nails, staples, straps, or even tops or bottoms. Glued strips shall be applied to the pallet deck and to the top of each layer of a load before the next layer is positioned. At least six strips shall be placed around the perimeter of the load at each level of application in conjunction with four strips placed within the perimeter to form an "X". This will allow the strips to effectively contact every unit in the adjacent layers.

5.3.2 Strapping. Strapping shall be metallic or nonmetallic as specified in 5.3.2.1 and 5.3.2.2, respectively. Guidance on the selection and use of flat strapping materials, both flat carbon steel and plastic, is contained in ASTM D4675.

5.3.2.1 Metallic strapping. Metallic strapping shall be flat steel conforming to the appropriate type and finish of ASTM D3953. Breaking strength of the strapping shall be as shown in the ASTM. Straps shall be held in tension on the load by double crimped steel seals of a size suited to the flat steel strapping used or of a type approved by the procuring activity.

5.3.2.2 Nonmetallic strapping. Nonmetallic strapping shall conform to the appropriate type and grade of ASTM D3950. Unless otherwise specified in the ordering data or by the procuring activity, nonmetallic strapping is not authorized for the strapping of palletized loads of plywood or metal shipping containers. Strapping seals shall be as specified in ASTM D3950.

5.3.2.3 Determination of strap size.

5.3.2.3.1 Tie-down strap size. The gross weight of a load divided by the total number of tie-down straps to be used determines the weight, which must be borne by each strap. This weight is compared with strap capacities listed in ASTMs D3950 or D3953. Strapping having the same or next higher capacity shall be used.

5.3.2.3.2 Horizontal strap size. The gross weight of the layer compared with strap capacities listed in ASTMs D3950 or D3953 determines the strapping size required. Horizontal straps used in conjunction with tie-down straps will be the same size as the tie-down straps.

5.3.2.4 Securing straps. All metallic and nonmetallic straps applied to a load shall be applied straight and shall be tensioned equally to a degree that precludes looseness on the side or top of the load and prevents excess strain on some straps that may cause looseness or breaking during handling and shipment. Straps will be held in tension by appropriate seals.

5.3.2.4.1 Sequence of securing straps. When straps are used in combinations, they shall be secured in proper sequence to acquire and maintain a stable load. Horizontal straps are always secured first, beginning with the lowest one of the load and working upward. Primary and secondary straps are next to be secured. When both are used, the strap which spans the greatest number of units shall be secured first, followed by one strap positioned at right angles to the first. Next, the strap paralleling the second strap shall be secured. Auxiliary straps will be secured last.

5.3.2.4.2 Edge protectors. Metallic edge protectors shall be a one piece sheet of strip steel pickled and oiled having a minimum gauge of 0.042 inch, a minimum width of 2-3/4 inches, and a minimum leg length of 2 inches. Nonmetallic edge protectors (fiberboard or plastic) shall be selected based on the size, weight, and configuration of the load. Fiberboard edge protectors shall be of weather resistant, single wall CF minimum 3 inches square, with or without a center score line. Although there are no restrictions on the types of plastic edge protectors to be used, they shall provide the same degree of protection as other nonmetallic edge protectors. Edge protectors shall be used in conjunction with straps at corners or edges of containers.

5.3.2.4.3 Crossties or intersection seals (see figure 6, page 40). Straps applied to a load at right angles to each other and in the same plane (vertical and horizontal) shall be prevented from lateral movement and displacement by the application of crossties or intersection seals of a size appropriate for the strapping used.

5.3.3 Strap bonding methods.

5.3.3.1 Bonding method C (horizontal straps) (see figures 29 through 35, pages 52-55). Except for shrink- and stretch-wrap bonded loads, horizontal straps may be used around virtually all other loads, from glued loads of rectangular units to framed loads which are capped by a top frame. The type and position of horizontal straps will vary depending on the load type. Horizontal straps may be placed around a load as follows: top layer or single layer, each layer, each layer except the top, bottom of a framed load outside the frame, top of a framed load outside the frame, center of a framed load outside the frame, and one strap at the bottom of a load of compressed gas cylinders outside the battens. Figures 29 through 35 illustrate the various types of horizontal straps used with different load types. These illustrations are for guidance only. When palletizing a load, various situations or problems may arise that might affect the number and placement of the various horizontal straps to be used. Therefore, actual load configurations may vary from those illustrated herein.

- a. For load type II, use a horizontal strap around each layer when under-strap battens are required to stabilize bales or bundles.
- b. For load types III and IIIa, use a horizontal strap around each layer except the top layer for wood-capped loads of nesting, cylindrical units. Position the strap just below the tops of units in each layer except for the top layer.
- c. For load types VII and VIII, use a horizontal strap around the center of all multiple-layer, framed loads and all single-layer, framed loads, which exceed 30 inches in height.

d. For load type VIII, use horizontal straps around each layer in non-capped, multiple-layer loads in conjunction with horizontal fiberboard separators or cross-strap battens.

e. For load type XV, use a horizontal strap around the top layer or single layer of a load of substantial cloth bags made of a material, which will not be damaged by straps or edge protectors.

f. For load type XVII, use a horizontal strap around the center of multiple- and single-layer, framed loads, which exceed 30 inches in height. Use a horizontal strap around the top of framed loads when the top frame is used in lieu of a wood cap over the top of the load.

5.3.3.2 Bonding method D (tie-down straps) (see figure 36, page 55). There are three types of tie-down straps: primary, secondary, and auxiliary (see 3.35.6, 3.35.7, and 3.35.1, respectively, for definitions). Primary straps pass under the pallet deck in the 40-inch direction, while secondary straps pass under type pallet deck in the 48-inch direction. Primary and secondary straps are the first two tie-down straps secured to a load; auxiliary straps are the third and subsequent straps added to secure the load. Primary straps shall be used on all loads except glued loads intended for domestic shipment. When primary straps are used with edge protectors, they shall be positioned so the edge protectors will bridge two rows of units, if practicable, to create integral bonding. Secondary straps shall be used on all loads except glued loads of compressed gas cylinders intended for domestic shipment. Auxiliary tie-down straps shall be used with all framed loads, capped loads, and loads of reels, spools, coils, or rolls with three or more units in width. Auxiliary straps shall be positioned over the load and under the pallet deck boards in the 40-inch direction and will be evenly spaced. When used with non-capped, non-glued loads, horizontal straps will be positioned on each layer in excess of two.

a. For load type VIII, use auxiliary tie-down straps on capped loads of bricks, refractories, or similar materiel made up of heavy individual items in smaller rectangular unit packages, and on non-capped loads of medium through extra heavy rectangular units bonded with cross-strap (vertical) battens.

b. For load type IX, use secondary tie-down straps with loads of cylinders for overseas shipments but not for such loads intended for domestic shipment only. Also, use auxiliary tie-down straps with both domestic and overseas loads containing only oxygen cylinders.

c. For load type XI, use auxiliary tie-down straps with large rolls or reels of barbed wire and other materiel on reels, spools, or rolls not contained in an overpack when such units stack more than two units wide in the 48-inch direction of the load.

d. For load type XIIa, use both primary and secondary tie-down straps in conjunction with wood caps for loads of 55-gallon drums or barrels.

e. For load type XV, use both primary and secondary tie-down straps with all loads of bagged materiel with canvas covers.

5.3.3.3 Bonding method E (load straps, auxiliary) (see figure 37, page 56). Load straps secure only the load. They pass under the load but not under the pallet deck, slip sheets, etc. They are used with framed, capped, or non-capped loads. When non-capped, non-glued loads contain more than two rows of units in both directions, with the greater number of rows in the 40-inch direction, auxiliary load straps shall be used in the 48-inch direction over the intermediate rows. As stated above, they may be used when the position of the pallet stringers block the use of auxiliary tie-down straps. The specified number of auxiliary load straps will be positioned on the pallet deck in the proper direction with the ends of the strapping free. The load is then stacked on the pallet, and the straps are drawn over the complete load, tensioned in proper sequence, and secured with strapping seals. Use auxiliary load straps on load type I loads containing units of dry packaged or unpackaged storage batteries, small glass window lights, or similar heavy units in substantial wood boxes, or use the straps with crates as needed to stabilize the load. In these type loads, the applicable strap(s) will be placed in the one lateral direction, which spans the intermediate row(s) containing the greater number of units. If the same number of units is positioned both ways, use these straps only one way.

5.3.4 Shrink- and stretch-wrap bonding.

5.3.4.1 Bonding method F (shrink wrap) (see figure 38, page 56). Shrink-wrap bonding is appropriate for all commodities except ammunition; nuclear explosives; petroleum, oil, and lubricants (POL); and other flammable materials. PE shrink wrap for use in pallet load bonding shall conform to type IV, class 3, grade A, finish 1, of A-A-3174. The film will be a bag encapsulated over the entire load and will extend at least evenly with the underside of the bottom deck board of the pallet. Unless otherwise specified, wing-type pallets, conforming to ANSI-MH1, Part 9 and MIL-DTL-15011, shall be used in order to properly anchor the load to the pallet. For example, part number MH1/9-04SF4048 of ANSI-MH1, Part 9 is a flush-type pallet (without wings) and is not as suitable as wing-type pallets (part numbers MH1/9-02SW4048, MH1/9-03SW4048, MH1/9-05SW4048, or MH1/9-10BW4048 of ANSI-MH1, Part 9 and MIL-DTL-15011) for anchoring the load to the pallet when either shrink wrap or stretch wrap is applied. Thermoplastic films of 6-mil PE or 2.5-mil PVC are acceptable for loads up to 2,000 pounds. Loads from 2,000 to 3,000 pounds need a PE film of 8-mil thickness or a PVC film of 4-mil thickness.

5.3.4.2 Bonding method G (stretch wrap) (see figure 39, page 57). Stretch wrap is appropriate for all commodities and types of palletized loads of materiel shipped in CONUS or when shipped containerized. When specified, variations in size and type of pallets are permitted for CONUS shipments only. As described in the previous paragraph, wing-type pallets must be used in order to properly anchor the load to the pallet. Stretch wrap shall be clear, extruded PE, 0.9 mil minimum thickness, or when specified, pigmented or tinted; PVC; or EVA, 0.8 mil minimum thickness. Multiwraps of PE need to add up to a minimum of 2.7 mils thickness, prior to wrapping, on loads up to 1,000 pounds, 4.5 mils thickness on loads up to 2,000 pounds, and 5.6 mils thickness on loads up to 3,000 pounds. When using PVC or EVA film, a minimum thickness of 1.6 mils is required for loads up to 1,000 pounds, 2.4 mils thickness for loads up to 2,000 pounds, and 3.2 mils thickness for loads up to 3,000 pounds. Film shall be wrapped around the load in multiple wraps, either by the spiral, full wrap, or equivalent method. Wrap the load from the top of the bottom deck board to not less than 2 inches above the height of the load. To provide additional protection, a sheet of weather-resistant fiberboard or plastic film, the same size as the perimeter of the load, should be placed on top of the load prior to wrapping. When handheld, stretch-wrap equipment is used, ensure that a uniform tension exists throughout the load.

5.4 Stability dunnage. Stability dunnage shall always be used when bonding alone is insufficient or when the containers require protection from bonding methods. Stability dunnage is constructed of paper, wood, PE sheet, canvas, fiberboard, steel, or other materials. Stability dunnage constructed of wood shall be made of lightweight material consistent with the type of protection required.

5.4.1 Metallic edge protectors (stability dunnage 1) (see figure 34, page 54). In order to add structural strength, metallic edge protectors shall be used at the edges of crates fabricated from light wood, at intersections of side and top frames, and under a strap crossing the long edge of substantially constructed wood boxes containing breakable materiel such as glass in non-capped loads. If the use of edge protectors directly applied to units of cloth, paper, or other fragile materiel could result in damage, battens shall be substituted for edge protectors. Metallic edge protectors shall not be used with nonmetallic strapping.

NOTE: This note applies to load types I, II, VI, VII, VIII, XIII, XV, and XVII. Do not use stability dunnage type 1 at edges of wood boxes, except for non-capped loads of glass window lights as described above on battened gas cylinders, wood caps, and collars; or at the pallet deck where margin exists. Also, do not use on loads with cloth or paper units when battens are utilized. Use on non-capped loads with cartons, crates with thin slats, framed loads where two frames meet, and on non-battened loads of bales when such application will not damage the materiel.

5.4.2 Nonmetallic edge protectors (stability dunnage type 2) (see figure 29, page 52).

Nonmetallic edge protectors shall be used under horizontal straps on loads to protect against damage to the finish on the units and to provide a compressible base for tensioning each strap to preclude slipping. These type protectors shall be placed under each horizontal strap at points adjacent to the corners of the pallet after the strap has been positioned but before it is tensioned. Fiberboard edge protectors shall consist of narrow strips of single wall CF folded in the middle to form a 90-degree angle. Other nonmetallic edge protectors are authorized, but they must provide the required protection.

5.4.3 Caps. Caps shall be used over, or under and over, loads when required for the creation of stable loads or for protection, containment, compression, or compaction of the units in the load.

5.4.3.1 Canvas cap (stability dunnage type 3). This cap shall be made from cotton duck cloth, which is fire, water, weather, and mildew resistant. Canvas, 60 inches in width, is preferable to preclude splicing and shall be prepared to the size of the load for which it is intended. The cap shall cover the load and extend down on the sides and ends to a point at least halfway down the top layer. The load is then subjected to a superimposed weight of 6,000 pounds or 3 loads of like materiel, whichever is lesser, after which the sides of the cap shall be pulled down tightly and secured with a horizontal strap around the top layer over the canvas. Kraft paper conforming to A-A-203 may be substituted for the canvas.

5.4.3.2 Fiberboard cap (stability dunnage type 4) (see figure 40, page 57). This cap shall be made from a piece of solid fiberboard (SF) or CF conforming to ASTM D4727/D4727M class weather-resistant, and shall be creased with corners cut to form the top. It will be prepared to fit its intended load. This cap shall be used with non-glued loads of lightweight rectangular units to hold the units securely and to preclude lateral movement. These caps may be used in pairs, with one over the load and one under the load or one over and one under each layer. The depth of the cap can be extended up to 12 inches for loads such as boxed wire fabric, which require more stability.

NOTE: For load type VIII, use stability dunnage type 4 under and over each layer in loads of lightweight, rectangular units. Do not use in loads utilizing sectional pallet boxes or in lieu of wood caps over the top and bottom of loads, intermediate wood caps, or cross-strap battens for units heavier than lightweight.

5.4.3.3 Wood cap (stability dunnage type 5) (see figure 41, page 58). Wood caps shall be of the open sheathing type except when specified by the procuring activity. Closed sheathing wood caps shall be used for loads of cloth or paper, which require special protection. The outside dimensions of the wood cap shall not be less than the dimensions of the pallet unless otherwise specified and are never to exceed outside dimensions of 43 inches by 52 inches when providing for an allowable overhang. When the dimensions of the unit load are less than the wood cap, the space between the load and the inside of the wood cap shall be blocked as necessary to prevent shifting of containers when pallets are impacted. The end and side slats of wood caps are not to be less than nominal 1- by 4-inch lumber secured at each end with two 8d cement-coated nails. Corner straps shall conform to ASTM D3953 and extend a minimum of 6 inches on the end and side slats. Corner straps shall be secured to the slats with a minimum of 6 nails (3 per slat) clinched not less than a quarter of an inch. Sheathing for open type wood caps shall be not less than nominal 1- by 4-inch lumber spaced not more than 2 inches apart. Unless otherwise specified, lumber for slats and sheathing shall conform to group II, III, or IV of ASTM D6199. Sheathing for closed-type wood caps shall not be less than ½-inch plywood conforming to A-A-55057, PS-1, grade C-D, interior with exterior glue. Sheathing shall be secured to side and end slats with 8d cement-coated nails, conforming to ASTM F1667, spaced not more than 3 inches on center, with no less than 2 nails used per sheathing board. Wood caps may be used with framed or unframed loads and may be used over, or over and under a load. When used under a load, the cap is inverted on the pallet and the first layer of units is arranged therein. When a closed sheathing-type wood cap is used under the load, drainage holes half an inch in diameter shall be drilled in the wood cap over spacing in the deck boards of the pallet located in a manner to ensure drainage. When wood caps are used with a framed load, the bottoms of the side frames shall be enclosed in the inverted cap. When used to cover a framed load, the cap should be made to enclose the top of the side frame. Dry packed or unpacked storage batteries, glass window lights, or similar material in cartons or non-substantial containers will be capped under and over the load.

a. For load types III, VI, VII, XII, XIIa, and XIIc, use stability dunnage type 5 under and over the load. (Not required if stretch-wrap bonding is used.)

b. For load type V, use stability dunnage type 5 over the load only.

c. For load type VIII, use stability dunnage type 5 under and over the load when double tray caps are used intermediately in multiple-layer loads; when loads of brick, refractory tiles or bricks, or similar material in multiple- or single-layer loads are utilized; and when single-layer loads contain tapered units which are heavier than lightweight. Do not use stability dunnage type 5 on load type VIII loads when units are lightweight or are of medium to extra heavy weight in multiple layers when cross- and under-strap battens are employed.

d. For load type XI, a wood cap may be used in lieu of top battens to facilitate placement of over-the-load straps.

e. For load type XIII, do not use stability dunnage type 5 over, under, or intermediately in loads utilizing sectional pallet boxes or nested packers.

f. For load type XVII, top frames should be used. If they cannot be used, use stability dunnage type 5. Use inverted wood caps under all loads except those, which stack with margin on pallet and those whose units will remain stacked without aid while the load is completed. In addition, use between layers, over the lower layers, and in framed loads of metal or metal encased units, except when horizontal wood or plywood separators can be utilized or when notched wood spacers are required.

5.4.3.4 Tray caps (stability dunnage type 6) (see figure 42, page 59). Tray caps shall be of the open or closed sheathing type, with two longitudinal partitions, which serve to separate the rows of units in a layer to prevent damage around the top edges of the units. Tray caps shall be fabricated in accordance with wood cap requirements (see 5.4.3.3). In addition to the wood cap requirements, the wood cap shall be modified by the addition of two longitudinal partitions of not less than nominal 1- by 4-inch lumber. These partitions shall be secured to the sheathing and slats with 8d cement-coated nails spaced not more than 3 inches on center, with no less than two nails used per sheathing board. For load type IV, a tray cap shall be used to cover each layer of units in the load, including the top layer, when loading 5-gallon pails with removable covers such as paint pails.

5.4.3.5 Double tray cap (stability dunnage type 7) (see figure 43, page 59). This cap shall be fabricated in accordance with requirements for open sheathing wood caps (see 5.4.3.3) except that the slats need to extend equally in both perpendicular directions from the sheathing to enclose the top of the units in one layer and the bottoms in another. The sheathing shall be secured to the bottom cleat prior to securing the top cleat. Cleats shall be not less than nominal 1-inch lumber and secured to the slats with cement-coated nails clinched a minimum of a quarter of an inch and spaced not less than 3 inches on center. Strapping shall conform to ASTM D3953. It is to be centered on the slats around the entire perimeter of the cap and shall be secured to the slats with a minimum of eight staples conforming to ASTM F1667. Staples shall be spaced 6 to 8 inches from each corner. For load types VIII and XIII, use double tray caps between layers only with loads, which have multiple layers and are capped over the top and under the bottom with wood caps.

5.4.4 Canvas cover (stability dunnage type 8). This cover shall consist of a piece of canvas large enough to cover at least the upper two-thirds of the load. It differs from the canvas cap by having much longer sides. The canvas cover shall be used with loads of plain paper bags and loads of cloth bags to protect against damage to bags or contained materiel. The cover shall be placed over the load, centered, and folded down around the sides. The load shall be subjected to a superimposed weight of at least 6,000 pounds, or three loads of like materiel, whichever is lesser, after which the cover shall be pulled down tightly at the sides of the load and secured by horizontal straps. Kraft paper, conforming to A-A-203, may be substituted for the canvas. A canvas cover shall be used with load type XV units such as lined or plain paper bags, which could be damaged by strapping or edge protectors. When using a canvas cover for this type load, battens shall be placed over or under the load. Two battens should be placed horizontally at each side of the load to form two layers or tiers of battens around the load. The load should then be secured with horizontal straps placed around each layer in conjunction with the required number of primary and secondary tie-down straps.

5.4.5 Weatherproof wrapping (stability dunnage type 9). Weatherproof wrapping shall consist of two pieces of duplex, asphalted-laminated, water-proof paper or equivalent per load. Each piece of paper shall cover the top of the load and shall fold around the sides to enwrap at least two-thirds of the load. This wrapping is to be used with framed loads of horizontally stacked, cylindrical units of fabric and with loads of flat, paper stock or printed matter not contained in cartons or boxes provided with inside weatherproof protection. The wrapping shall be positioned outside all the units in the load and inside the frames. One piece of paper shall be placed in an empty inverted wood cap on a pallet, with the units of the first layer arranged in the cap on the paper and other layers added until the load is stacked within its limitations. Then the paper shall be folded up tightly around the sides of the load and secured with waterproof tape conforming to ASTM D5486/D5486M or water-resistant adhesive conforming to MMM-A-260. The other piece of paper is then placed over the load, folded down tightly around the sides of the load, and secured with water-proof tape or water-resistant adhesive, as described above. All spliced seams need to be sealed in a like manner. The load is then framed, capped, and strapped. Loads of non-boxed horizontally stacked rolls or cylindrical units of fabric are handled differently. After the first layer of units has been arranged in the inverted wood cap on the paper, the paper shall be folded in over the load and two opposing side frames, set inside the inverted cap, and shall be secured temporarily in a vertical position. The paper is then folded out to the frames, and the remainder of the load is stacked.

5.4.6 Frames (see figure 44, page 60). Frames shall be used to protect the load or to help make a stable load by containing, compacting, compressing, or supporting the units in the load.

5.4.6.1 Side frames (stability dunnage type 10). Side frames shall be prepared to size for the load. They shall be constructed of not less than nominal 1- by 4-inch lumber conforming to ASTM D6199 or ½-inch plywood conforming to PS-1, grade C-D, interior with exterior glue. The intermediate stringer may be applied diagonally when racking needs to be prevented to make a stable load. When the load contains compressible or compactable materiel, the frame dimensions shall be less than the corresponding dimensions of the unsecured load by an amount, which will allow for compression or compaction so that the framed load will be stable when strapped. When the load is bonded and frames are used on all four sides of the load, frames in the 48-inch direction shall overlap those in the 40-inch direction. Side frames shall be used on all sides of the following loads: unstable or odd-shaped units; flat paper stock or printed matter (except when in weatherproof cartons or boxes); cylindrical units stacked horizontally; side-rimmed cylindrical units or units which are narrow and short; and plastic-type containers requiring protection from superimposed loads and racking during storage and shipment. A top frame or wood cap over the load shall be used in conjunction with side frames in the aforementioned loads. For loads of glass window lights or storage batteries, which exceed 11 inches in height and are not encased in substantial wood boxes, side frames will be used only at the ends. The frames shall be positioned around the load with the bottom edges inside the inverted wood cap, when used, so that the weight of the frames rests upon the wood caps, the frame supports, or the pallet deck. When used with loads of cylindrical units stacked horizontally, two opposing side frames shall be placed along the length of the units with the bottom edges inside the wood cap, and they shall be temporarily braced in a vertical position to prevent movement of the units while the load is being completed.

a. For load type VII, use side frames at the 40-inch ends of the load only in conjunction with separator supports. Also, use side frames intermediately in this type load when the overall height of the units in the load exceeds 11 inches.

b. For load type VIII, use side frames on four sides of a load of non-contained fiberboard sheets.

5.4.6.2 Top frame (stability dunnage type 11). The top frame shall be constructed in the same manner as the side frames and shall be built to size for the load for which it is intended and shall overlap the side frames when the load is bonded. When used with loads of compressible or compactable materiel, the dimensions of the top frame shall be less than the corresponding dimensions of the unsecured load by an amount, which will allow for compression or compaction so that the framed load will be stable when strapped. A top frame shall be used to reduce weight with any framed load, which does not require the heavier wood cap. The top frame is to be placed over the load and secured after the side frames have been positioned.

- a. For load type VIII, use stability dunnage type 11 in lieu of wood caps, when practicable, over loads of non-contained sheets of fiberboard. Such loads have four side frames.
- b. For load type XI, a top frame may be used in lieu of top battens to ease the placement of over-the-load straps.
- c. For load type XVII, use side frames on four sides of the load.

5.4.6.3 End frames (stability dunnage type 12). These frames shall be constructed similar to the side frames except that they will be made from nominal 2-inch thick lumber. End frames shall be used with loads such as glass window lights or storage batteries not encased in substantial wood boxes when separator supports cannot be used intermediately in the load due to the size of the units. Before the wood cap is placed over the load, end frames shall be positioned at the 48-inch ends of the load, with their bottom edges inside the inverted wood cap used under the load.

- a. For load type VII, use end frames at the 40-inch ends of loads only when separator supports cannot be used intermediately in the load.
- b. For load type XVII, use end frames in framed loads in lieu of wood caps over loads whenever they can be used effectively. Do not use stability dunnage type 12 in lieu of wood caps in framed loads containing "unstable units."

5.4.7 Frame supports (stability dunnage type 13). Frame supports shall consist of plain boards cut to length for the load and made from substantial lumber of random widths from 2 to 12 inches. At least two supports used with a load shall be not less than 4 inches in width. The boards shall be of nominal 1-inch thickness to provide adequate support for a superimposed minimum weight of 6,000 pounds or 3 loads of like materiel, whichever is lesser. Frame supports may be used in lieu of the inverted wood cap under framed loads of unstable or odd-shaped units to effect a reduction in tare weight. The frame supports shall overhang all four sides of the pallet by an amount which will make them flush with the bottom edges of the frames when the load is bonded securely. Frame supports shall be laid on the pallet parallel to the deck boards and positioned with proper overhang at the ends and sides. The outboard supports, which overhang the sides of the pallet shall be not less than 4 inches in width. One or more additional supports shall be spaced intermediately between the outboard supports, as required, to bridge approximately half of the bottom surface of each unit in the bottom layer and provide for a level, stable load. If the area occupied by the frame supports required for a load is more than 60 percent of the pallet deck, an inverted wood cap of open sheathing shall be used in lieu of the frame supports.

5.4.8 Separator supports (stability dunnage type 14) (see figure 12, page 43). These supports shall consist of substantial lumber of not less than 1-inch nominal thickness, cut to length for the load so that they will extend flush with the outside edges of the outboard units in the rows they separate. The lumber shall be strong enough that the load with which the supports are used, will support a superimposed minimum weight of 6,000 pounds or 3 loads of like materiel, whichever is lesser. Separator supports shall be used with framed loads to provide support for the wood cap used over the loads, thus preventing the cap from resting on the units in the load. The supports may be spaced intermediately and across the ends of the load or spaced intermediately alone in the 40-inch direction. When units in a load do not exceed 11 inches in height, 1 separator support shall be placed at each end of the load and 1 placed intermediately in the center if 3 supports are used, or on equal sides of the center if 4 supports are used. When the load is composed of units exceeding 11 inches in height, 1 or 2 separator support sets (2 or more boards each) shall be placed intermediately in the load provided 1 set could be located within 6 inches of the center of the load. Side frames (see 5.4.6.1) shall be used at the ends in lieu of separator supports when units are over 11 inches high.

a. For load type VII, use separator supports at the 40-inch ends of the load and intermediately in the load when the height of the units in the load does not exceed 11 inches; otherwise, use the separators in multiple sets intermediately in the load only in conjunction with side frames at the 40-inch ends of the load.

b. For load type XVII, use separator supports in lieu of inverted wood caps under small or narrow, framed loads when units are stable and when the combined area of the supports does not total more than 60 percent of the pallet area.

5.4.9 Separators. Separators shall be used to protect and support the individual units in a load.

5.4.9.1 Horizontal fiberboard separator (stability dunnage type 15) (see figure 45, page 60). This separator shall consist of a piece of single wall CF or SF conforming to ASTM D4727/D4727M, class weather-resistant. Stability dunnage type 15 may be used between layers of non-framed loads containing lightweight units when fiberboard caps are not available. In such cases, a separator shall be placed over each layer of units (except the top layer) after each layer has been horizontally strapped. Stability dunnage type 15 may be used between layers in framed loads of unstable or odd-shaped units which have tops and bottoms of metal, or within sectional pallet boxes as practicable, in lieu of a horizontal wood separator when such use will not result in damage to the units or contained materiel. Stability dunnage type 15 may also be used with load types VIII and XVI when palletizing cylindrical or rectangular units.

5.4.9.2 Horizontal wood separator (stability dunnage type 16) (see figure 45, page 60). This stability dunnage will be made from lightweight wood and may be used between layers in framed loads of unstable or odd-shaped units, which have metal tops and bottoms. Its use will reduce tare weight in those instances when wood caps are not required to stabilize the load. It may also be used for separating layers of materiel in load type XIV, nested packer.

5.4.9.3 Separator for nested containers (stability dunnage type 17) (see figure 22, page 48). This separator shall consist of a narrow strip of plain fiberboard cut to length so that when placed on the outside of a unit it will span the bottom and extend along the sides beyond the points at which the unit would normally bind when nested inside another/like unit. Stability dunnage type 17 may be used whenever practicable in lieu of wood caps between layers in framed loads of metal or metal-encased units. It may also be used, when necessary, in load type XVI, sectional pallet box.

5.4.9.4 Vertical wood separators (stability dunnage type 18) (see figure 46, page 60). These separators shall be made of box lumber, 3/16-inch in thickness and nominal 4 to 6 inches in width, cut so they extend to the extreme outside of the outer-most units in the rows they separate. Vertical wood separators shall be used with framed loads of side-rimmed, cylindrical or rectangular units to preclude damage to the units or to the contained materiel through pressure or friction resulting from handling or shipment. These type separators shall be placed on a long edge between rows of units, with at least two layers of separators used for each layer of units in the load. The first layer of separators shall be placed between rows in the 40-inch direction, with succeeding layers placed at right angles to the layers immediately beneath. This will create individual cells for the units and will separate each one from the other units in the layer. When used with loads in which the units or contained materiel could be damaged by contact with the wood cap or top frame used over the entire load, the cumulative height of the several layers of separators shall be such that the top layer will extend about 1/8-inch above the tops of the units in the layer; otherwise, the top layer of separators will extend flush with the tops of the units.

5.4.10 Pallet strips (stability dunnage type 19) (see figure 47, page 61). Pallet strips shall be used with vertical wood separators and will be the same thickness as the lumber used for separators. They shall be the same width as the units in the load and shall extend to the extreme outside of the outboard units in the rows running in the 40-inch direction of the pallet. The pallet strips shall be nailed flat to the pallet deck in the 40-inch direction and shall be spaced approximately 1/16-inch further apart than the thickness of the strips to create slots into which the bottom edges of the lower tier separators will fit.

5.4.11 Battens. Battens are used to fill space, protect against damage, provide additional strapping surface, or help create a more stable load.

5.4.11.1 Battens, cross-strap (stability dunnage type 20) (see figure 48, page 61). Battens shall be made of nominal 1-inch thick lumber or ½-inch plywood and shall be 4 to 6 inches wide (as dictated by the weight of the units). The length of the battens shall equal the height of the load. Three or more battens shall be placed in a vertical position at each 48-inch width and at the 40-inch length, when necessary. Each batten should, if practical, bridge two rows of units. Straps should be held firmly in place by staples in accordance with ASTM F1667. Use cross-strap battens with non-capped load type VIII loads of rectangular units of medium through extra heavy weight. Three battens shall be placed at each 48-inch side of the load, and, when required, 1 or 2 battens will be placed at each end of the load, in vertical position, with each batten bridging 2 vertical rows of units, when practical.

5.4.11.2 Battens, under- or over-the-load (stability dunnage type 21) (see figure 49, page 62). Used for load types I and IX, these battens shall be made of nominal 1-inch thick lumber or ½-inch plywood and be 6 inches wide. Battens are cut to a length that will extend approximately to the edges of the load in the 48-inch width. When the load is compactable or compressible, the battens shall be shorter than the applicable dimensions. These battens may also be used in conjunction with cross-strap battens. When over-the-load battens are used, the battens shall be positioned in the 48-inch width to bridge 2 rows of units.

a. For load type II, use stability dunnage type 21 at sides and tops of loads in conjunction with bonding methods C and D (horizontal straps around each layer and tie-down straps) when bales or bundles of materiel cannot be formed into stable loads with strapping alone.

b. For load type VIII, use stability dunnage type 21 with non-capped loads of rectangular units of medium through extra heavy weight in conjunction with cross-strap battens. Two battens will be positioned on top of the load in the 48-inch direction.

c. For load type XI, use stability dunnage type 21 with all rolled loads, including barbed wire on reels, spools, or coils, stacked more than 2 rows in the 48-inch direction. The battens will be positioned on top of the load in the 40-inch direction and will be secured with secondary tie-down straps.

d. For load type XV, use stability dunnage type 21 in conjunction with canvas covers. Two battens will be placed at each side of the load in a horizontal position to form two layers or tiers of battens around the load. They shall be secured with horizontal straps.

5.4.11.3 Battens, oxygen cylinder or gas cylinder (stability dunnage types 22 and 23) (see figure 14, page 44). These battens shall be made of nominal 1-inch thick by 4-inch width lumber cut so that they extend to the center lines of the outboard rows of units. The ends shall be beveled along one face and will be placed against the load with the bevels outboard. They shall be positioned in one horizontal layer around the bottom of the load at the pallet level and held in place against the load by one horizontal steel strap 1¼ inches wide by .030-inch thick. The straps shall be secured to the battens with staples driven fully into the batten after the straps have been secured. When deemed necessary, battens made from nominal 2-inch thick by 4-inch width lumber may be used.

5.4.12 Wood collar (stability dunnage type 24) (see figure 14, page 44). Wood collars shall be used with loads of compressed gas cylinders to make a stable load by creating integral bonding of the units and preventing lateral movement of the unit cylinders. A wood collar also provides a level platform for superimposed loads. Wood collars are constructed so that their height extends beyond the tops of the units encompassed. The outside member of a collar shall enclose the tops of the units around the perimeter of the load. The inner partitions will contain or separate the rows of gas cylinders with the edges of the collar resting upon the shoulder of the cylinders. The collar shall be placed over the load after the units have been arranged on the pallet and before positioning the battens. The tops of all units shall be enclosed by the sides of the collar and its partitions. The collar shall be held in position by the appropriate number of tie-down straps.

5.4.13 Notched wood spacer (stability dunnage type 25) (see figures 50 and 51, page 63). This spacer is made from heavy lumber and notched or recessed across opposing faces at regular intervals along its length. The notches shall be cut to fit snugly around part of the perimeter of the units of the load. The notched wood spacer is used with framed loads of unboxed cylindrical units stacked horizontally to stabilize the load and to protect the units against damage from handling during shipment. Two or more spacers are required for the safe stacking of cylindrical units, and they shall be placed under the load at right angles to the length of the units. An equal number of spacers shall be used between each course, but none on the top of the load. The length of the spacers in a load shall be sufficient to extend to or slightly beyond the edge of the load. For load type XVII, use stability dunnage type 25 under the load, on top of inverted caps, and between layers of framed, cylindrical, self-supporting units stacked horizontally such as metal or concrete pipes or axles. Do not use notched wood spacers with rolls of cloth, screening, or similar material.

5.4.14 Sectional pallet box (stability dunnage type 26) (see figure 24, page 49). This box is made from nominal 1-inch lumber or 5/8-inch thick plywood panel, using a pallet as the base or bottom of the box. Each section shall consist of four boards of the same width nailed together to form a hollow rectangle of the same size as the pallet deck. An approximate 1- by 2-inch piece of lumber with its length equal to the width of the boards is nailed inside each corner of the

section and positioned so that all extend about 1 inch beyond the same edge of the section. These corners or posts serve to keep superimposed sections correctly positioned. By constructing sections from various widths of lumber or plywood, the pallet box may be assembled to the exact height required by the units comprising any load. One section of the box shall be placed on an empty pallet, with the units arranged inside up to the height of the section. The superimposed sections are then positioned and individually stacked until the load has been completed. Horizontal fiberboard or wood separators may be used at intermediate top levels of each section. The box shall be covered by a one-piece lid of fiberboard, closed wood, or plywood sheathing, nailed in place and secured by the prescribed number of tie-down straps.

5.4.15 Nested packer stability dunnage type 27 (see figure 22, page 48). This packer shall be constructed of fiberboard or wood. It will have a base the size of the pallet deck and will consist of interior interlocking partitions. Requirements for packaging items going into the nested packer will depend on the nature of the item.

5.4.16 Chimney filler (stability dunnage type 28) (see figure 52, page 64). The chimney filler shall be made from SF or double-wall CF, minimum 275 pounds bursting strength, scored and folded to the required size to fit into the chimney or void which occasionally develops in a load due to the size or shape of the units. The filler must fill the void snugly in the top layer of rectangular units to preclude the lateral movement of such units away from the perimeter of the load. When the pallet pattern results in voids, which are staggered from layer to layer, the filler shall be required only in the top layer. When the voids in each layer are superimposed, the filler shall extend the full length of the chimney. This filler is primarily used with load types I and VIII for non-capped, non-framed, or non-boxed strapped loads when voids exist between rectangular units within the load. A framework of lightweight wood may be used in lieu of SF for the chimney filler.

5.4.17 Polyethylene sheeting, 1 mil (stability dunnage type 29). This aid consists of a sheet of PE, large enough to drape over the top of a palletized load and extend at least 6 inches down each side and each end. The sheet should be placed over the top after the first wrap is applied. For load types Ia, II, and XV, use stability dunnage type 29 over the top of a stretch-wrap load prior to wrapping the load to provide bonding and water protection. This stability dunnage type is only required when protection from water is necessary.

5.5 Marking. Except as noted below, marking shall be in accordance with MIL-STD-129. For example, pallet loads that are not capable of supporting superimposed loads shall be marked "Do Not Stack".

5.5.1 Marking variations. Marking of petroleum and petroleum related products shall be as specified in MIL-STD-290. Marking of tires shall be as specified in MIL-STD-129 and in MIL-DTL-4.

6. NOTES

(This section contains information of a general or explanatory nature that may be helpful, but is not mandatory.)

6.1 Intended use. This standard establishes the methods, materials, and techniques to be used in the formation of bonded palletized unit loads of military supplies, which are adapted to unit loading.

6.1.1 Validation. The criteria within section 5 does not validate the ability of the unit load and any strapping or bonding methods to withstand the stresses, shocks, and impacts likely to incur during storage, handling, and surface transport. The ability of the unit load to withstand the distribution environment is contained in ASTM D4169, Standard Practice for Performance Testing of Shipping Containers and Systems, distribution cycle 18.

6.1.2 Limitation. This standard will not be used for the palletization of ammunition, explosives, or semiperishable subsistence unless specifically prescribed by the procuring activity. Ammunition unit loads are to be in accordance with MIL-STD-1660, Design Criteria for Ammunition Unit Loads, while semiperishable subsistence unit loads are to be in accordance with Defense Logistics Agency (DLA) Troop Support Form 3507, Loads, Unit: Preparation of Semiperishable Subsistence Items. (Copies of Form 3507 are available online at <http://www.dla.mil/Portals/104/Documents/TroopSupport/Subsistence/Rations/forms/3507.pdf> or from the DLA Troop Support, ATTN: FTSA, Building 6, 700 Robbins Avenue, Philadelphia, PA 19111-5092).

6.1.3 Quality of wood pallets.

6.1.3.1 Lumber quality. Lumber quality used in the construction of wood pallets for palletized unit loads will be in accordance with requirements in paragraph 4.1.7.

6.1.3.2 Additional wood pallet requirements. Wood pallets procured under DLA contracts are to be in accordance with DLA Troop Support Drawing 03204, Classification of Defects of Pallets. (Copies of Drawing 03204 are available online at <https://www.dla.mil/LandandMaritime/Offers/Services/TechnicalSupport/Logistics/Packaging/Palletization.aspx>).

6.2 Supersession data. In addition to the document listed on the front cover, this standard also has superseded the following documents:

- MIL-STD-1187 - Standard Size Unit, Intermediate and Exterior Containers for Modular Packaging and Unitization on the 40- by 48-Inch Pallet
- MIL-HDBK-774 - Palletized Unit Loads

6.3 Subject term (key word) listing.

- Batten
- Frame supports
- Interlocking pattern
- Overhang
- Separator
- Strap
- Vertical row

6.4 International standardization agreement implementation. This standard implements STANAG 2828, Military Pallets, Packages and Containers. When changes to, revision, or cancellation of this standard are proposed, the preparing activity must coordinate the action with the U.S. National Point of Contact for the international standardization agreement, as identified in the ASSIST database at <https://assist.dla.mil>.

6.5 Changes from previous issue. The margins of this standard are marked with vertical lines to indicate where changes from the previous issue were made. This was done as a convenience only and the Government assumes no liability whatsoever for any inaccuracies in these notations. Bidders and contractors are cautioned to evaluate the requirements of this document based on the entire content irrespective of the marginal notations and relationship to the last previous issue.

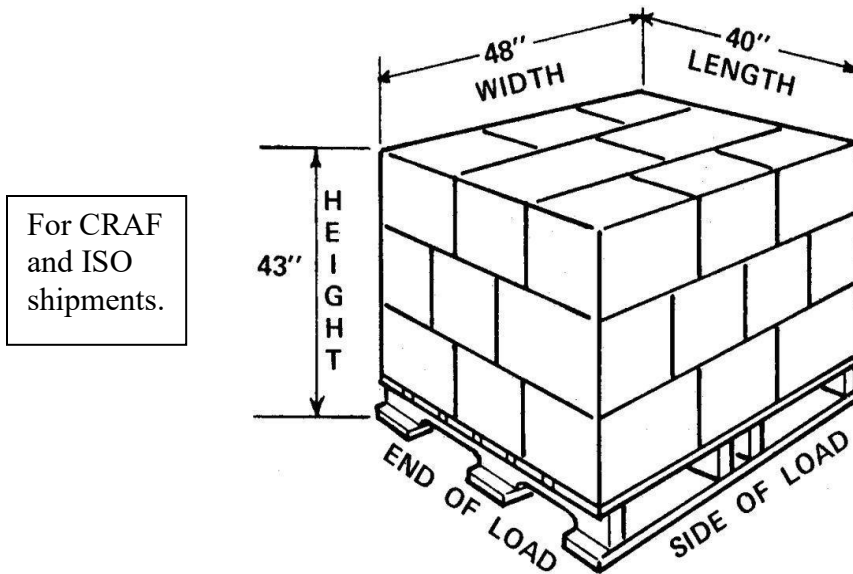


FIGURE 2. Typical palletized unit load sizes (see 5.1.1.1).

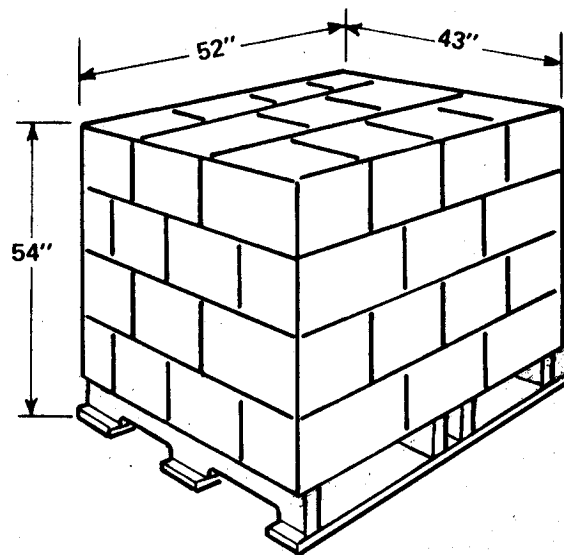
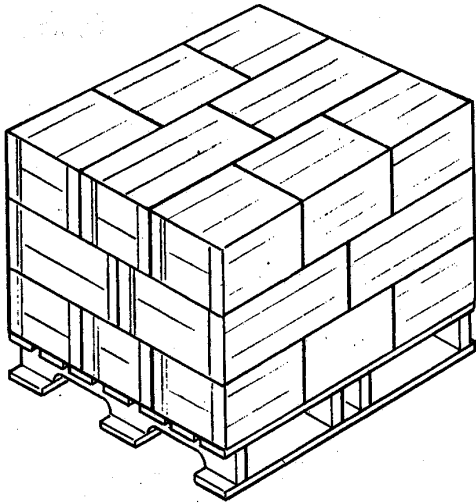
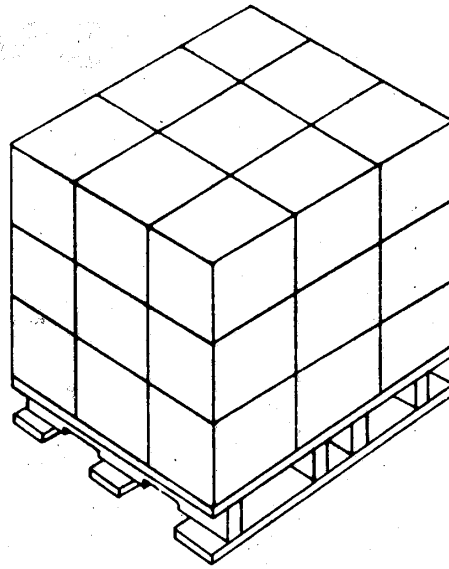


FIGURE 3. Other palletized unit load sizes (see 5.1.2).



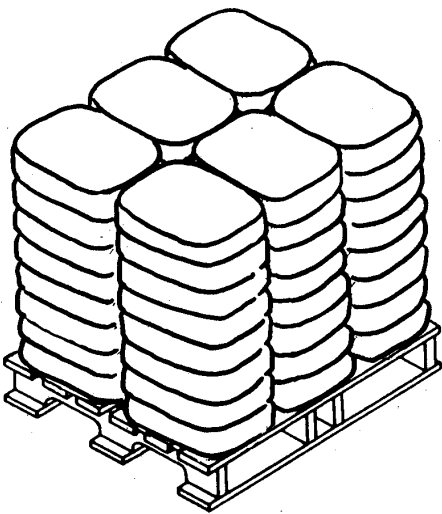
For illustrative purposes, not intended for transport.

FIGURE 4. Load type I (see 5.2.1).



For illustrative purposes, not intended for transport.

FIGURE 5. Load type Ia (see 5.2.1.1).



For illustrative purposes, not intended for transport.

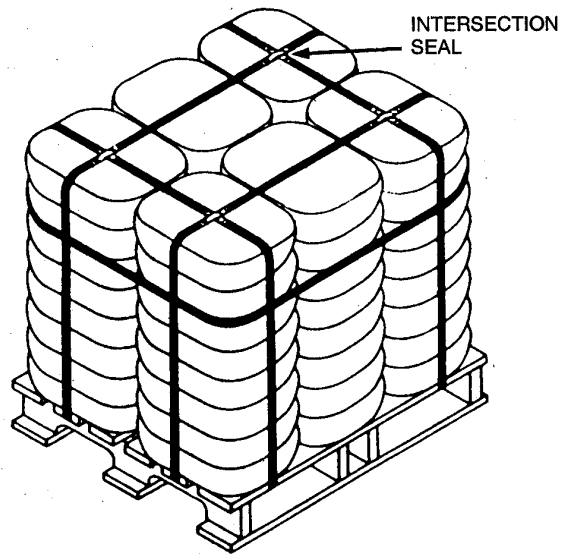


FIGURE 6. Load type II (unstrapped and strapped) (see 5.2.2 and 5.3.2.4.3).

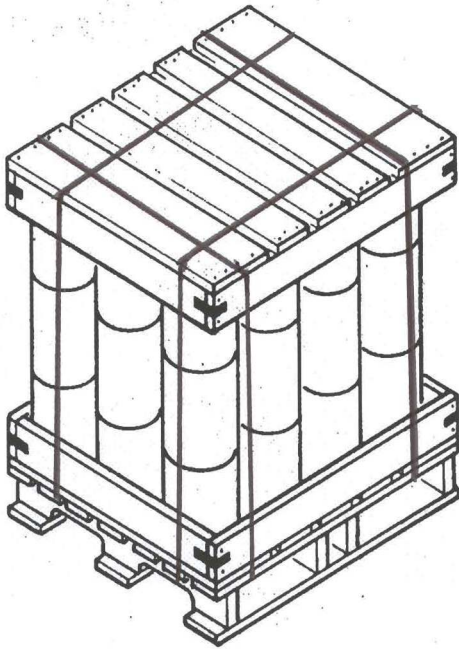


FIGURE 7. Load type III (see 5.2.3).

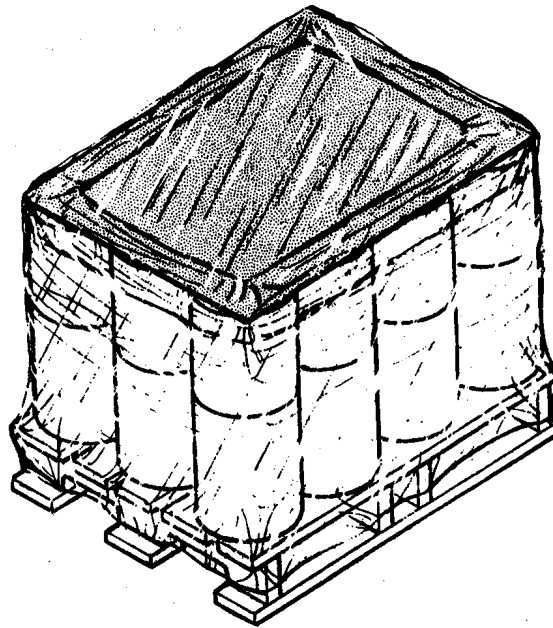
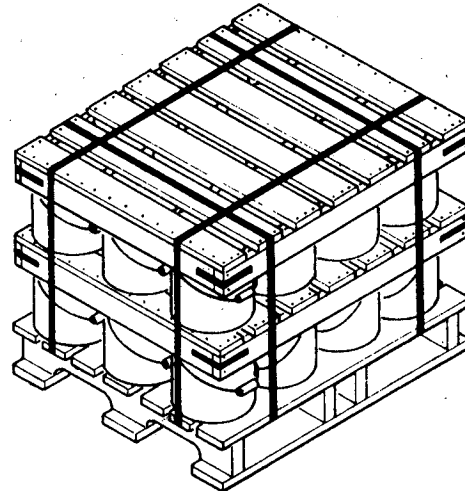
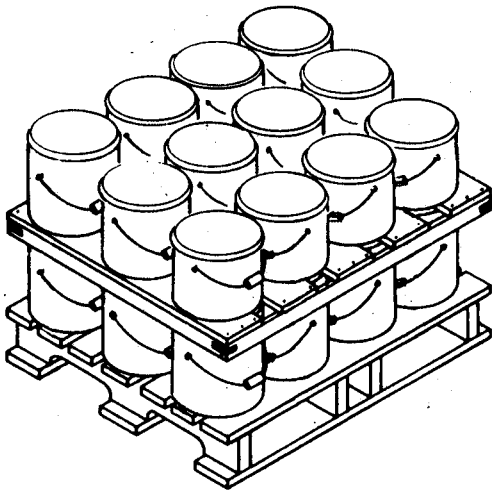
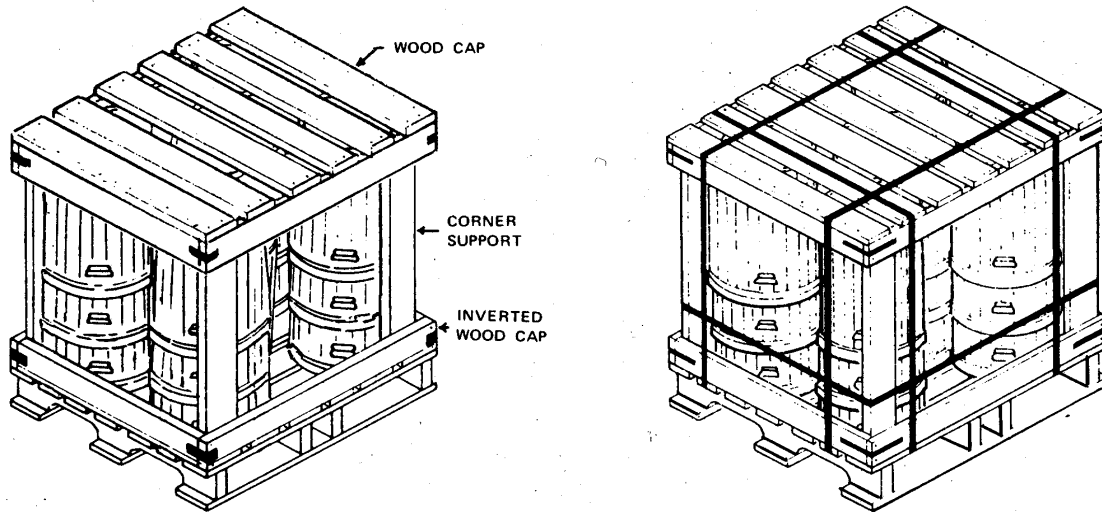


FIGURE 8. Load type IIIa (see 5.2.3.1).



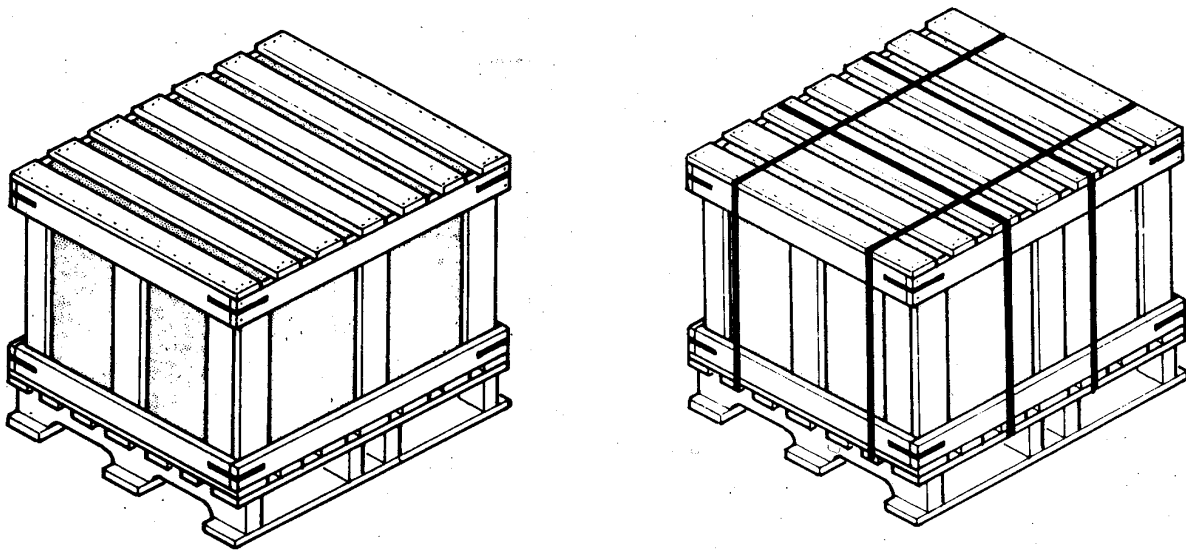
For illustrative purposes, not intended for transport.

FIGURE 9. Load type IV (unstrapped and strapped) (see 5.2.4).



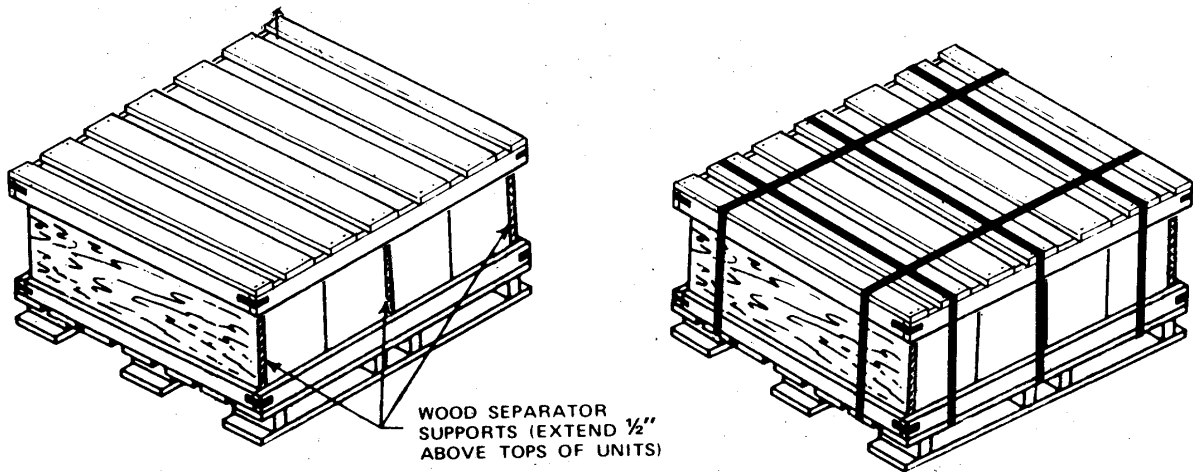
For illustrative purposes, not intended for transport.

FIGURE 10. Load type V (unstrapped and strapped) (see 5.2.5).



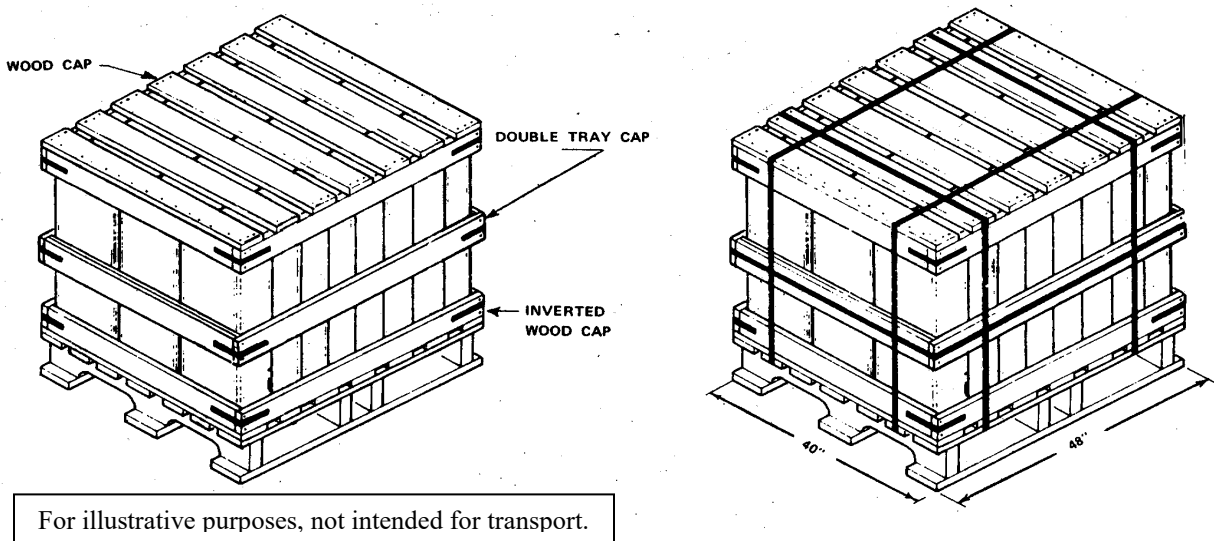
For illustrative purposes, not intended for transport.

FIGURE 11. Load type VI (unstrapped and strapped) (see 5.2.6).



For illustrative purposes, not intended for transport.

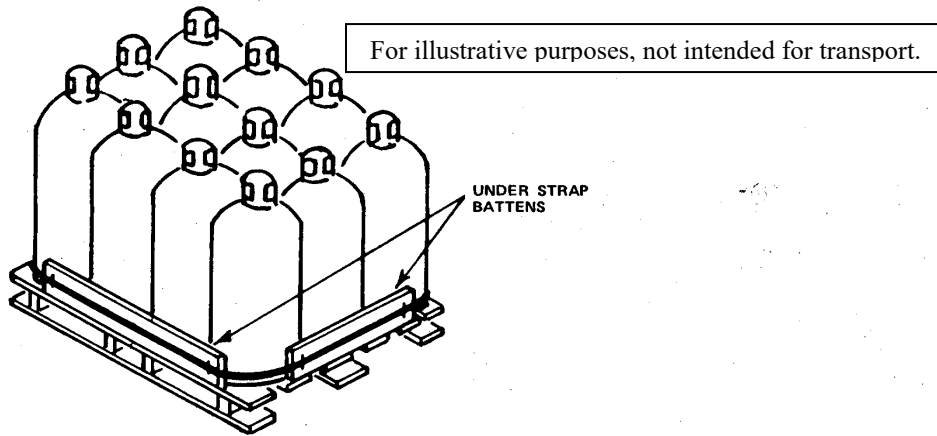
FIGURE 12. Load type VII (unstrapped and strapped) (see 5.2.7 and 5.4.8).



For illustrative purposes, not intended for transport.

FIGURE 13. Load type VIII (unstrapped and strapped) (see 5.2.8).

MIL-STD-147E
w/CHANGE 2



BILL OF MATERIALS			
(a)			
WOOD COLLAR FOR ACETYLENE CYLINDERS			
ITEM	DESCRIPTION	QTY	SIZE
A	SIDE SLATS	2	2"X8"X42"
B	END SLATS	2	2"X8"X33½"
C	PARTITIONS	2	2"X8"X30½"
D	STEEL STRAP	1	1½"X.035"X15'6"
E	STRAPPING SEALS	1	1½"
F	STAPLES	8	1½"
G	COATED NAILS	40	12d
(b)			
WOOD COLLAR FOR OXYGEN CYLINDERS			
ITEM	DESCRIPTION	QTY	SIZE
A	SIDE SLATS	2	2"X8"X41"
B	END SLATS	2	2"X8"X35 ¾"
C	PARTITIONS	2	2"X8"X32½"
D	STEEL STRAP	1	1½"X.035"X14'6"
E	STRAPPING SEALS	1	1½"
F	STAPLES	8	1½"
G	COATED NAILS	40	12d
(c)			
WOOD COLLAR FOR FREON CYLINDERS			
ITEM	DESCRIPTION	QTY	SIZE
A	SIDE SLATS	2	2"X8"X45½"
B	END SLATS	2	2"X8"X41"
C	PARTITIONS	2	2"X8"X38"
D	STEEL STRAP	1	1½"X.035"X15'6"
E	STRAPPING SEALS	1	1½"
F	STAPLES	8	1½"
G	COATED NAILS	40	12d

NOTE: USE 5 12d COATED NAILS AT EACH JOINT

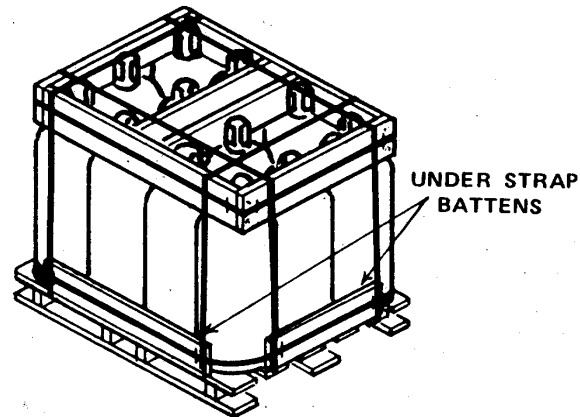
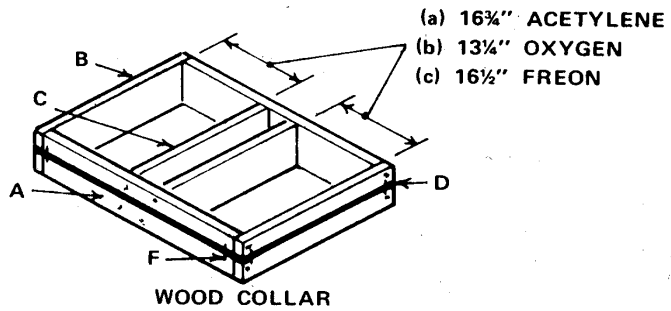


FIGURE 14. Load type IX (unstrapped and strapped) (see 5.2.9, 5.4.11.3, and 5.4.12).

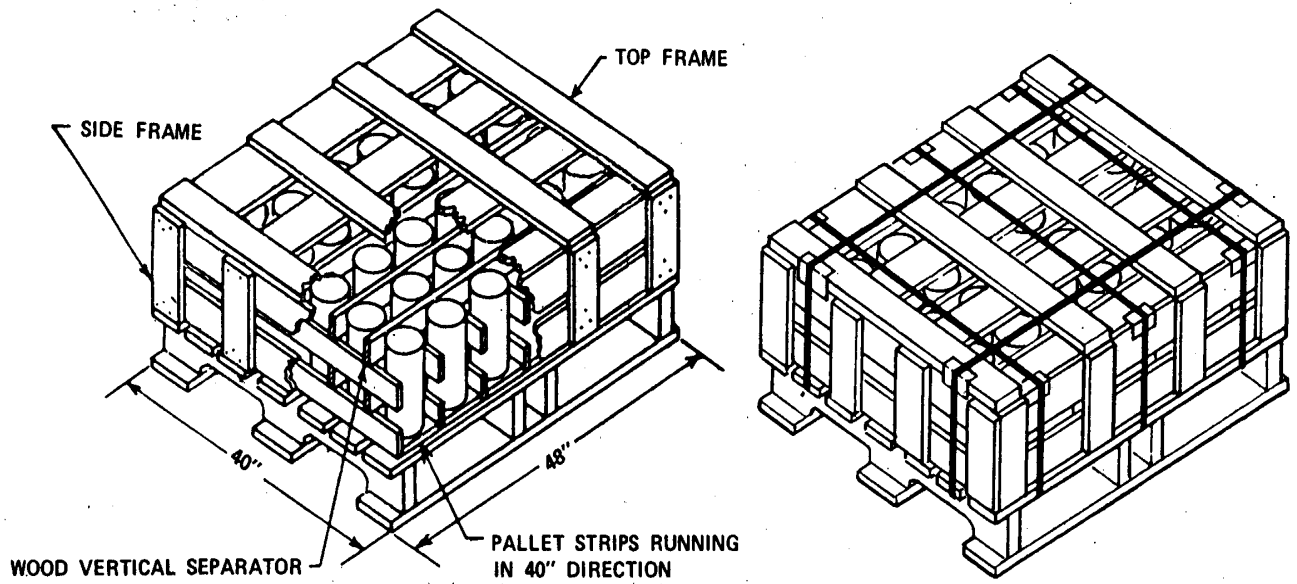
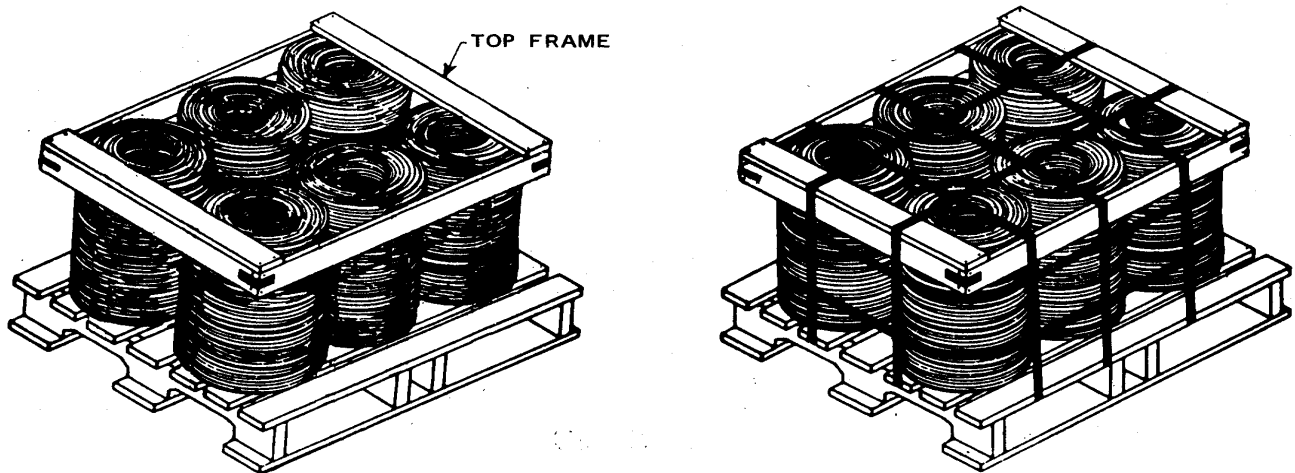
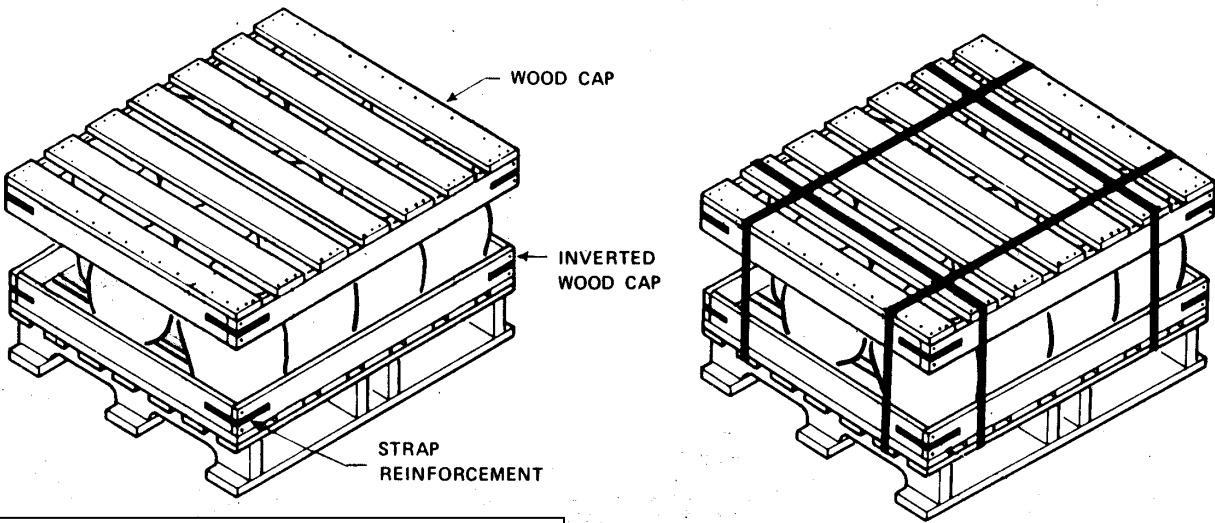


FIGURE 15. Load type X (unstrapped and strapped) (see 5.2.10).



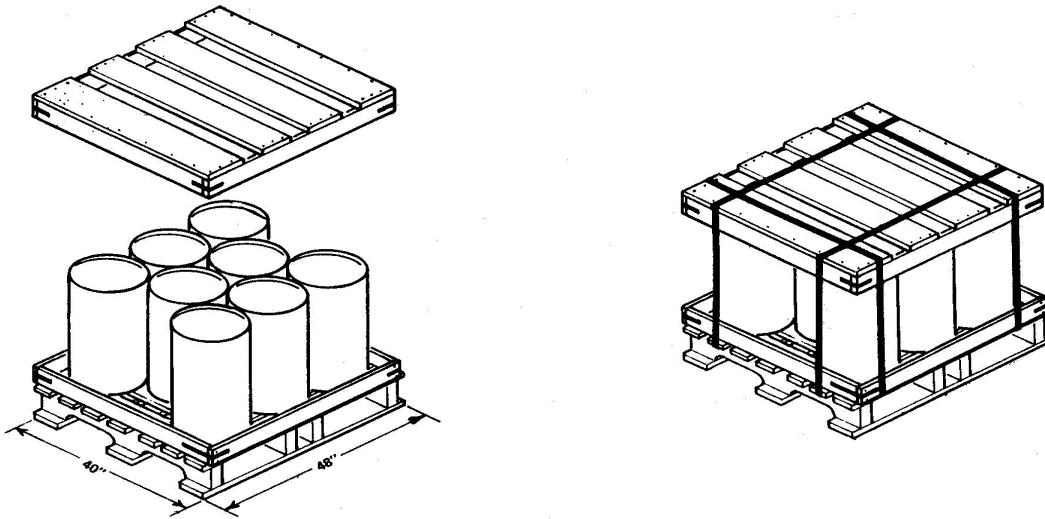
For illustrative purposes, not intended for transport.

FIGURE 16. Load type XI (unstrapped and strapped) (see 5.2.11).



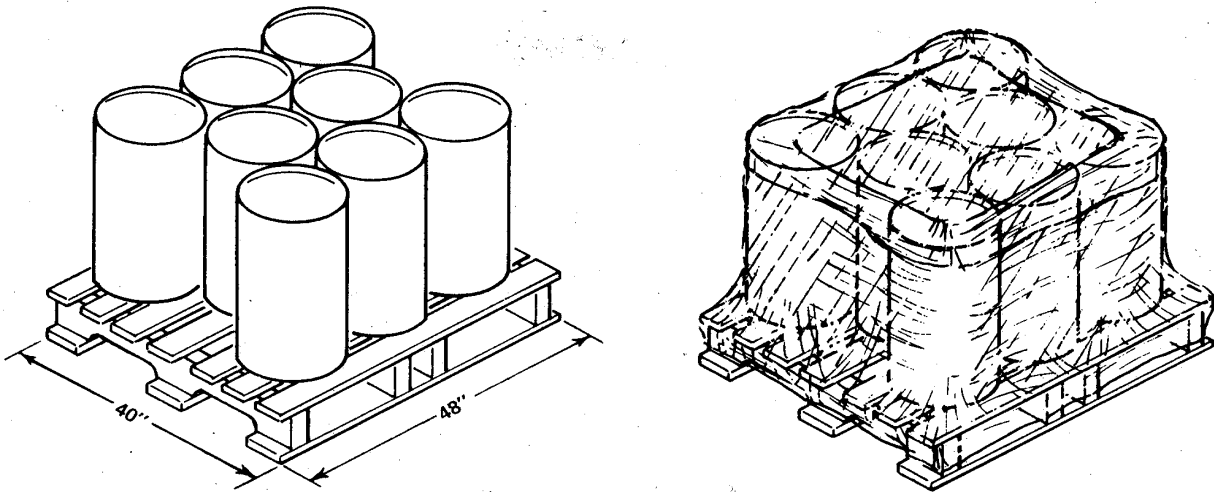
For illustrative purposes, not intended for transport.

FIGURE 17. Load type XII (unstrapped and strapped) (see 5.2.12).



For illustrative purposes, not intended for transport.

FIGURE 18. Load type XIIa (unstrapped and strapped) (see 5.2.12.1).



For illustrative purposes, not intended for transport.

FIGURE 19. Load type XIIb (uncovered and stretch-wrapped) (see 5.2.12.2).

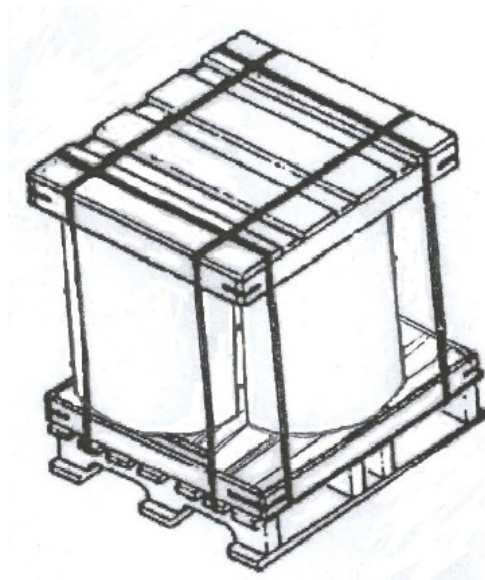
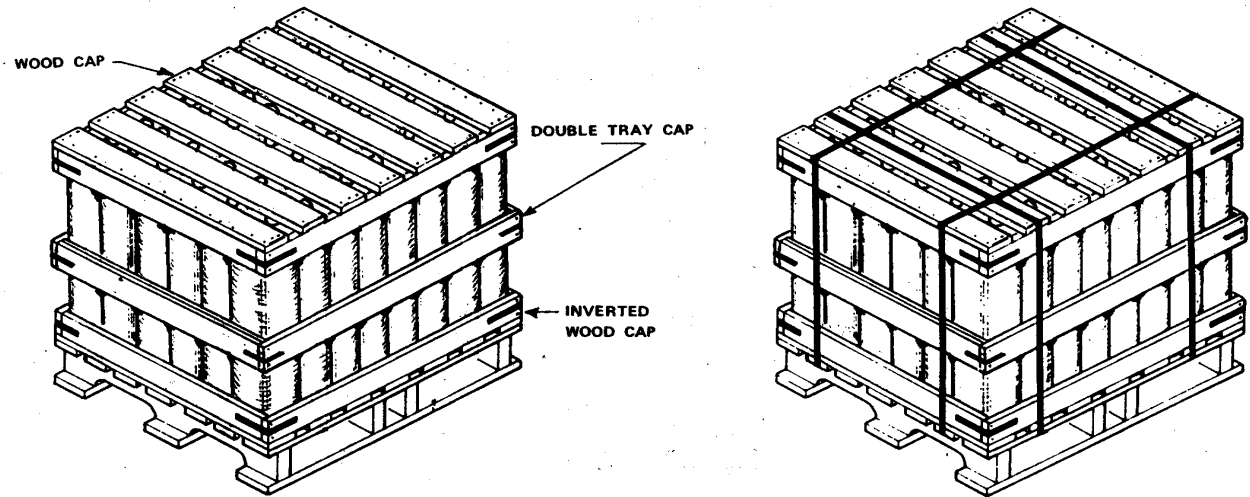


FIGURE 20. Load type XIIc (strapped) (see 5.2.12.3).



For illustrative purposes, not intended for transport.

FIGURE 21. Load type XIII (unstrapped and strapped) (see 5.2.13).

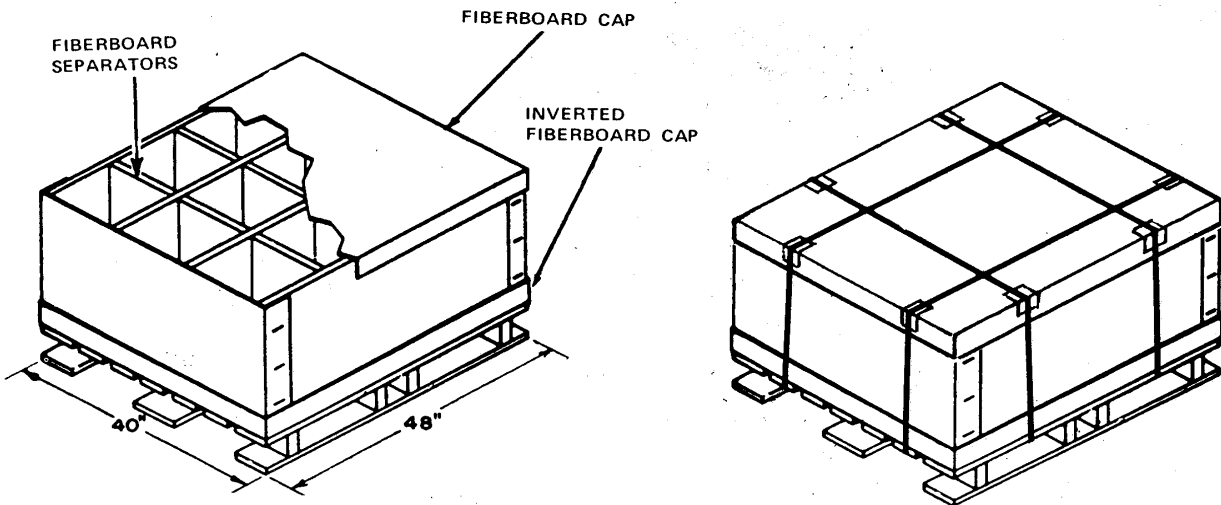
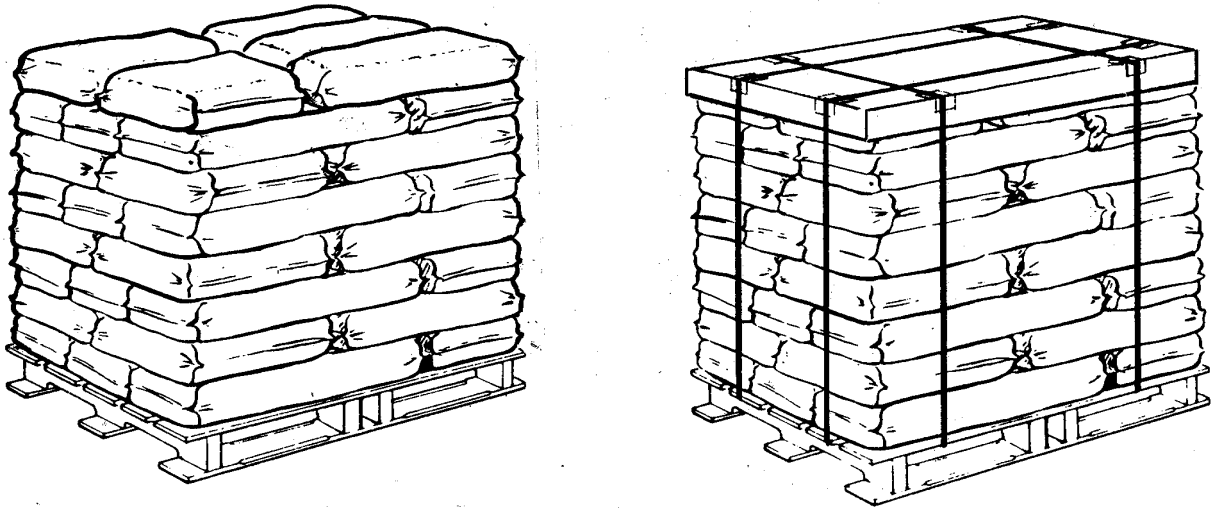
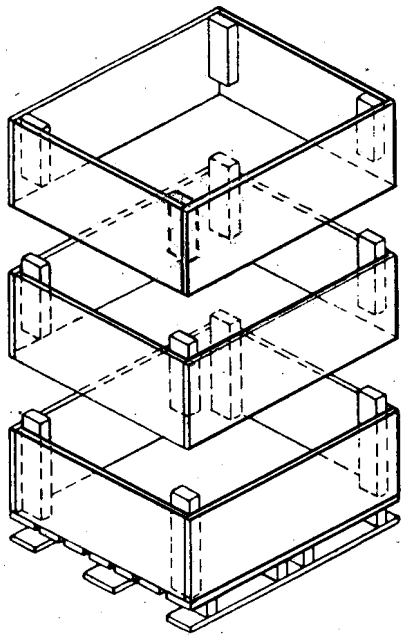


FIGURE 22. Load type XIV (unstrapped and strapped) (see 5.2.14, 5.4.9.3, and 5.4.15).



For illustrative purposes, not intended for transport.

FIGURE 23. Load type XV (unstrapped and strapped) (see 5.2.15).



SECTIONAL PALLET BOX IN USE

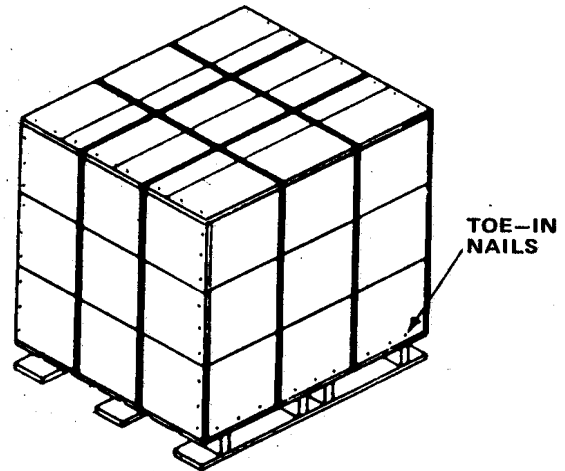


FIGURE 24. Load type XVI (see 5.2.16 and 5.4.14).

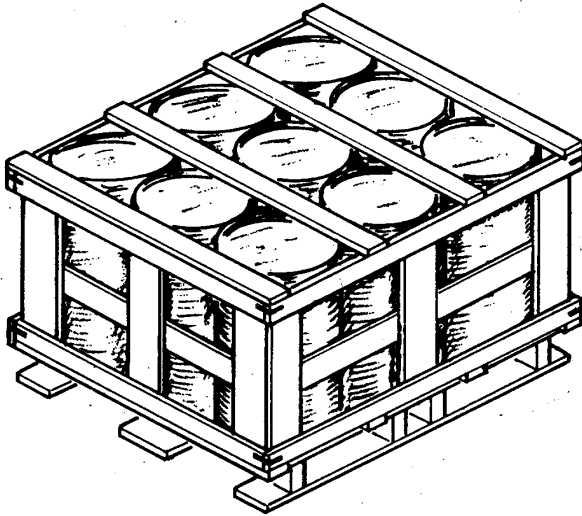


FIGURE 25. Load type XVII (see 5.2.17).

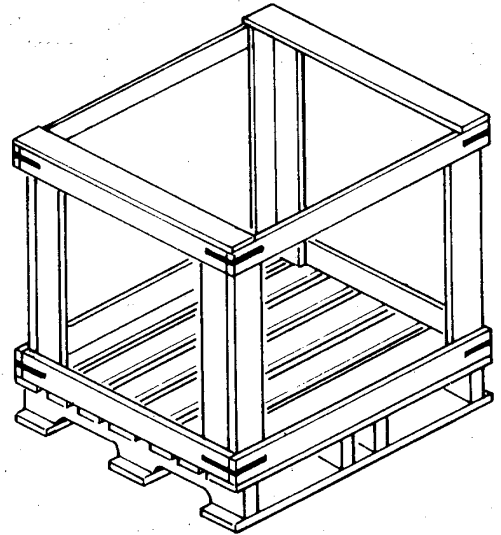


FIGURE 26. Load type XVIII (see 5.2.18).

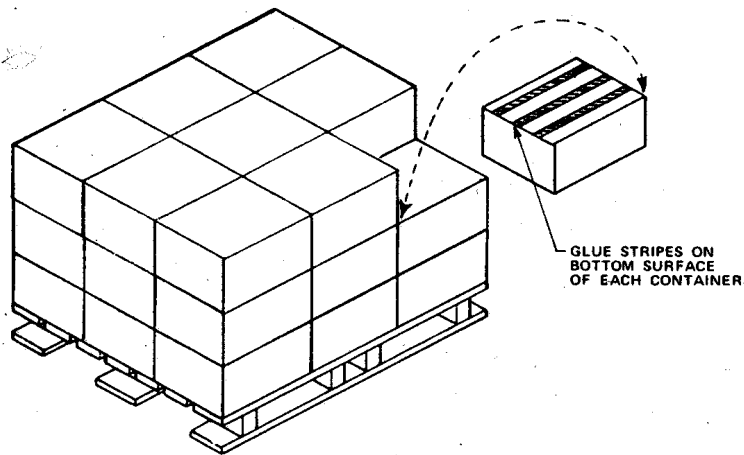


FIGURE 27. Bonding method A (glue stripes) (see 5.3.1.1).

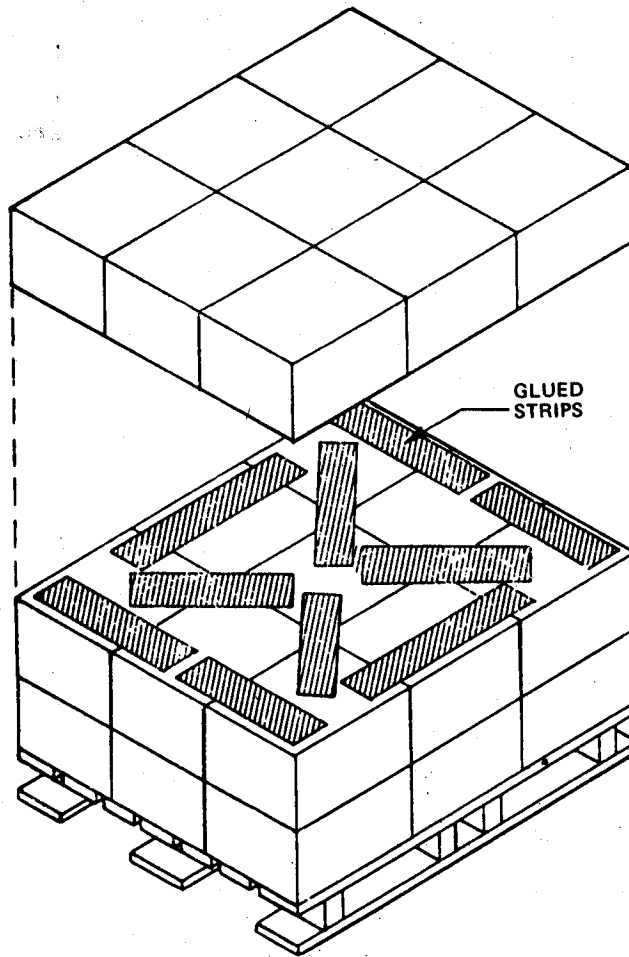


FIGURE 28. Bonding method B (glued strips) (see 5.3.1.2).

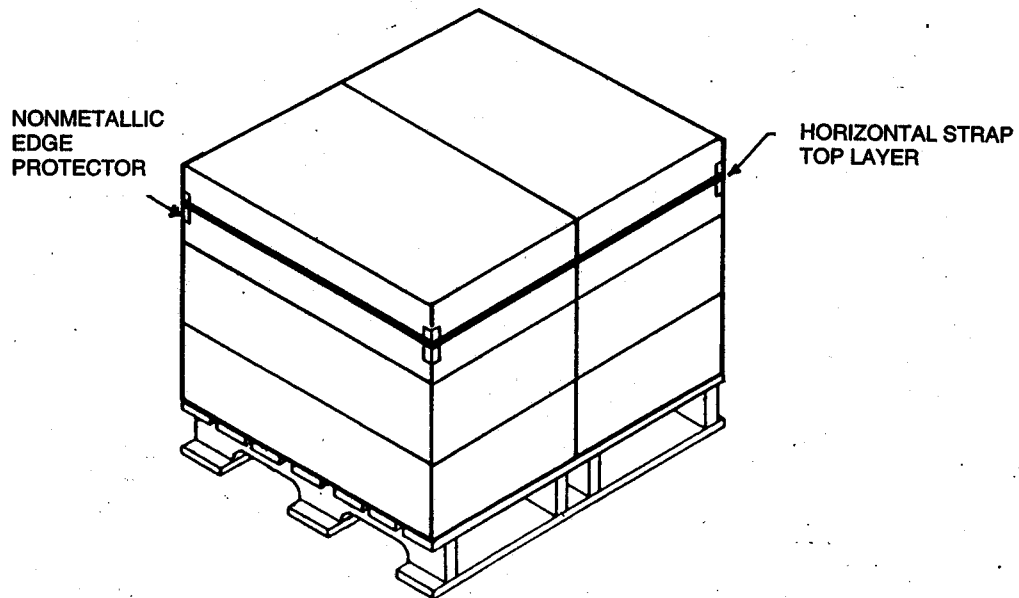


FIGURE 29. Bonding method C (top layer or single layer) (see 5.3.3.1 and 5.4.2).

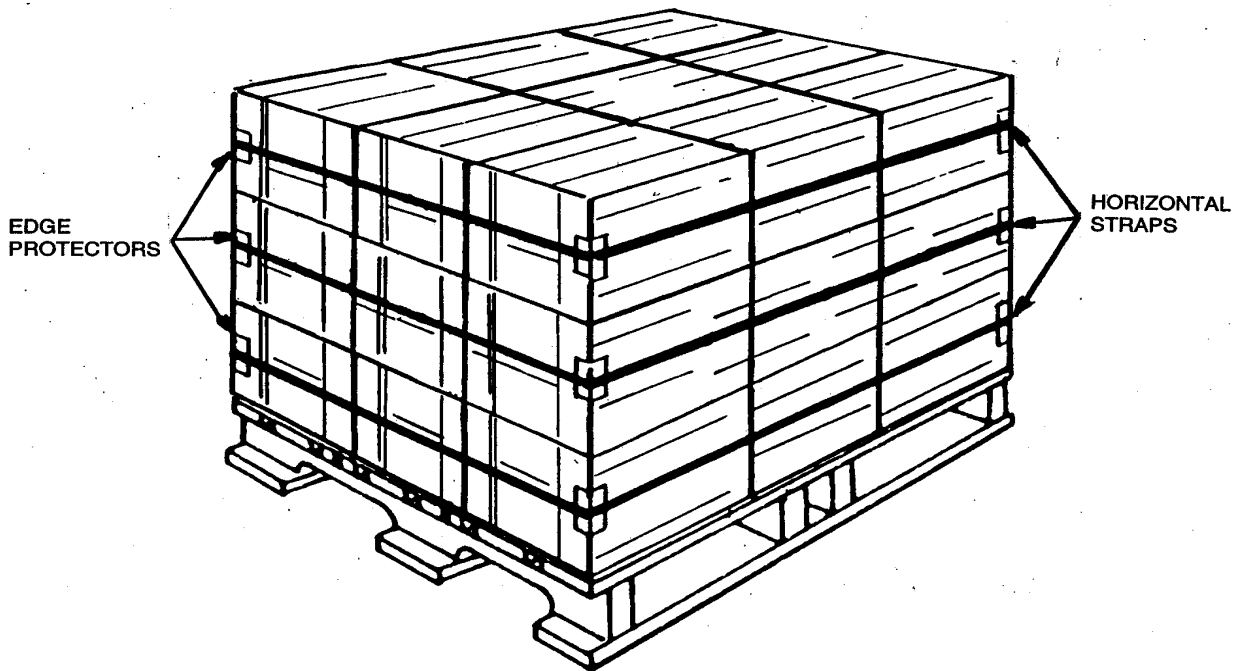


FIGURE 30. Bonding method C (each layer) (see 5.3.3.1).

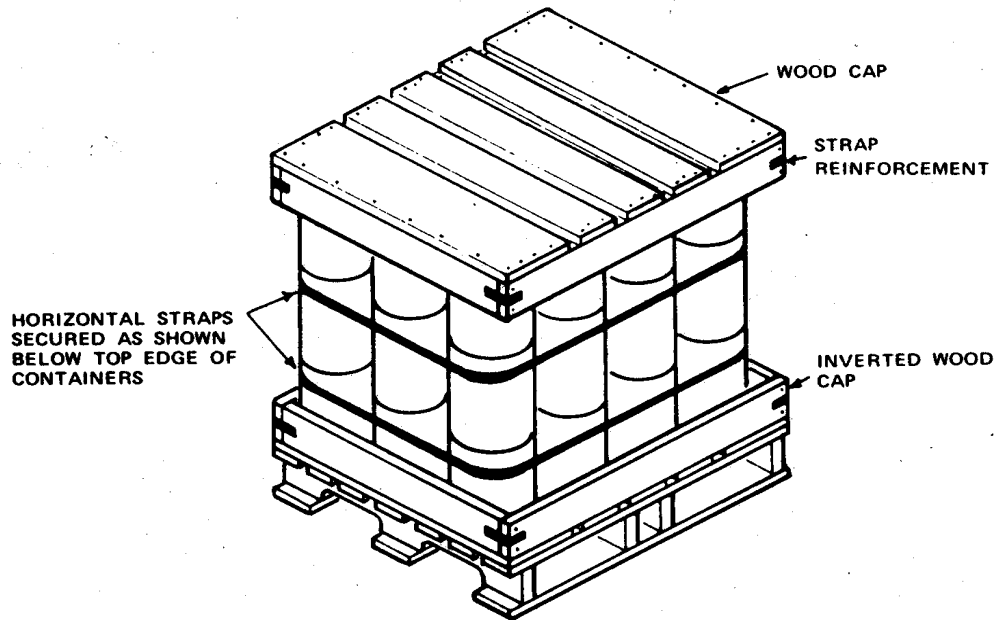


FIGURE 31. Bonding method C (each layer except top layer) (see 5.3.3.1).

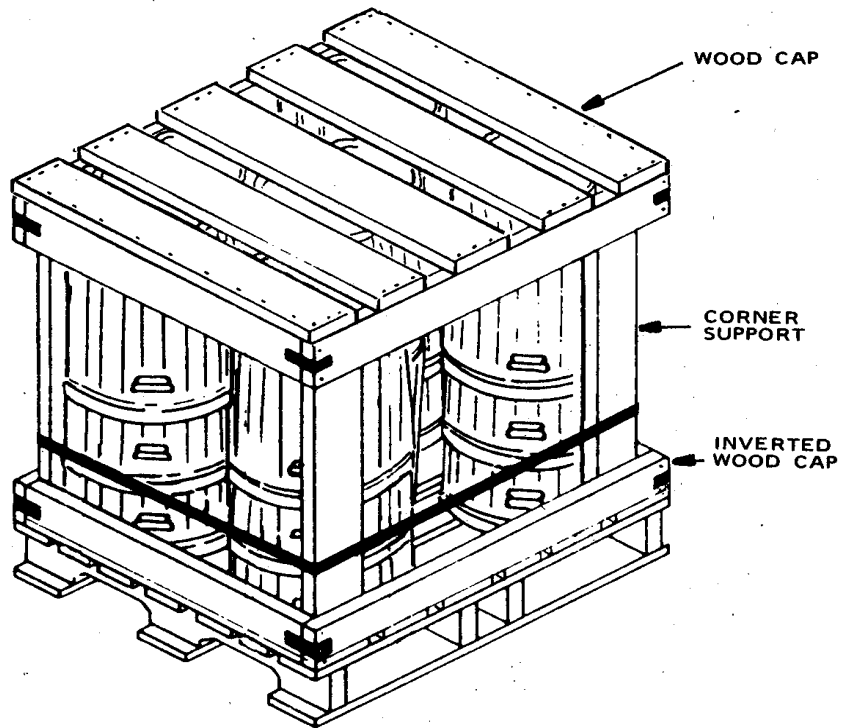


FIGURE 32. Bonding method C (bottom of framed load outside the frame) (see 5.3.3.1).

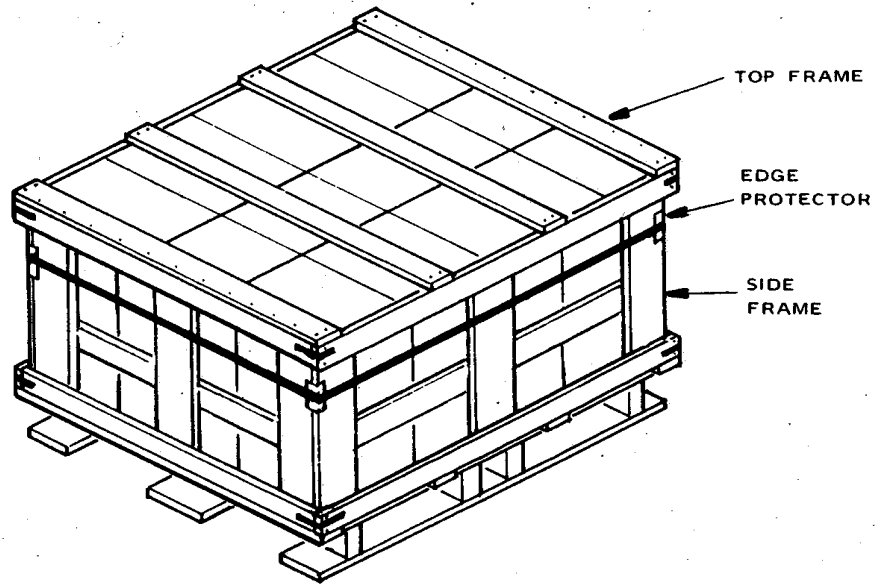


FIGURE 33. Bonding method C (top of a framed load outside the frame) (see 5.3.3.1).

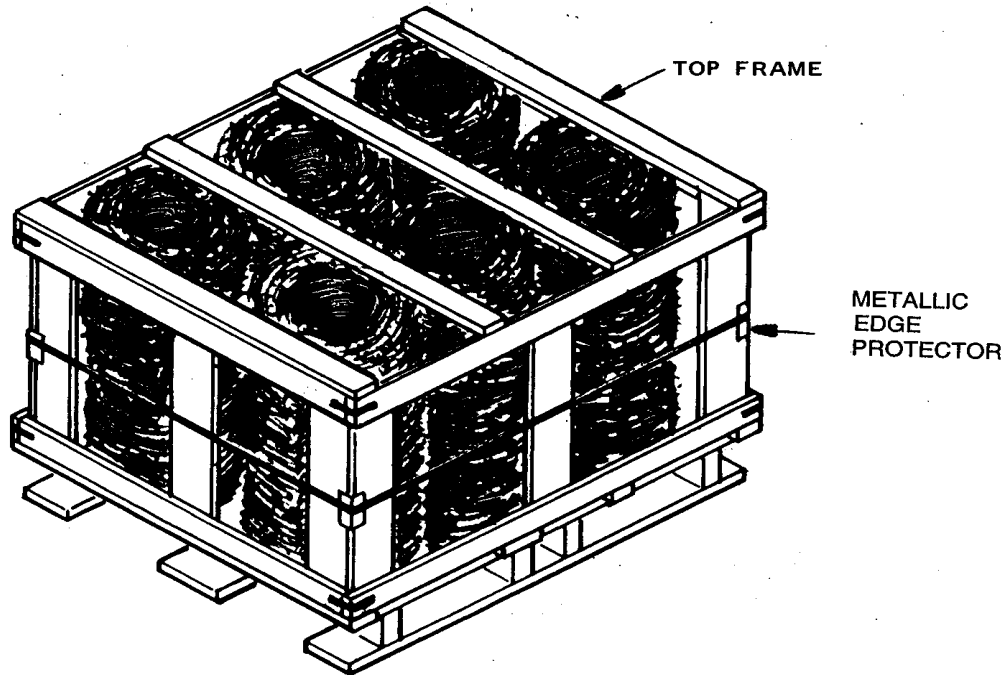


FIGURE 34. Bonding method C (center of a framed load outside the frame) (see 5.3.3.1 and 5.4.1).

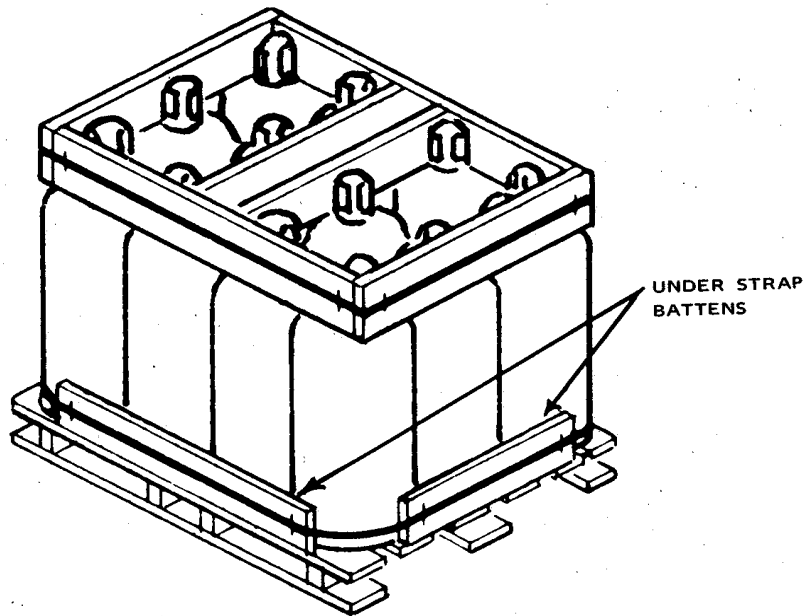


FIGURE 35. Bonding method C (one strap at bottom of a load of compressed gas cylinders outside the battens) (see 5.3.3.1).

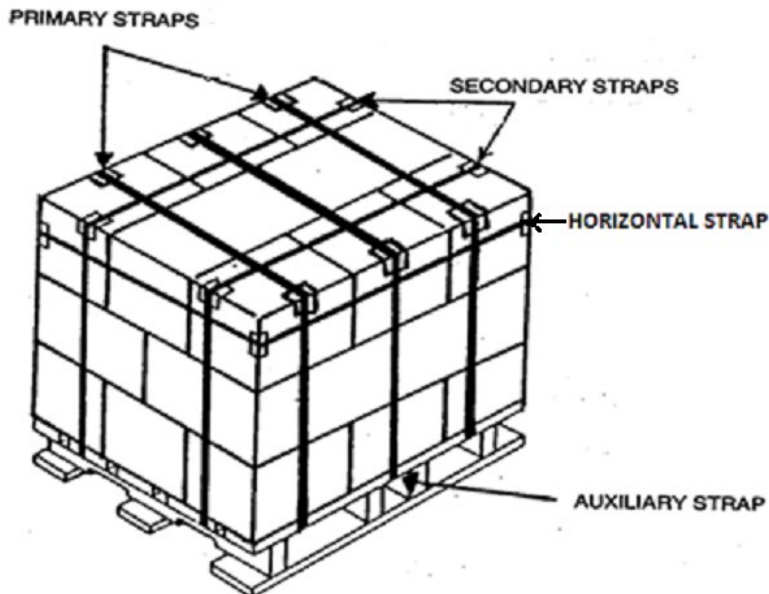


FIGURE 36. Bonding method D (tie-down straps) (see 5.3.3.2).

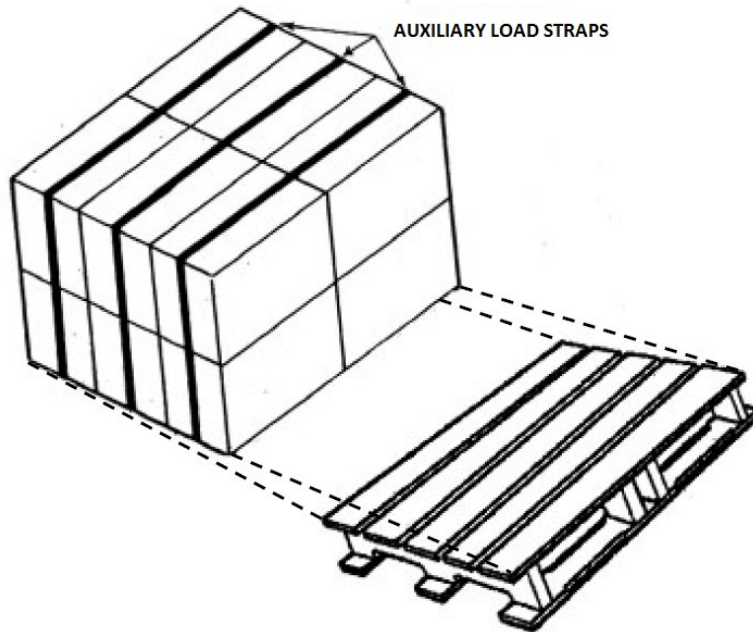


FIGURE 37. Bonding method E (auxiliary straps) (see 5.3.3.3).

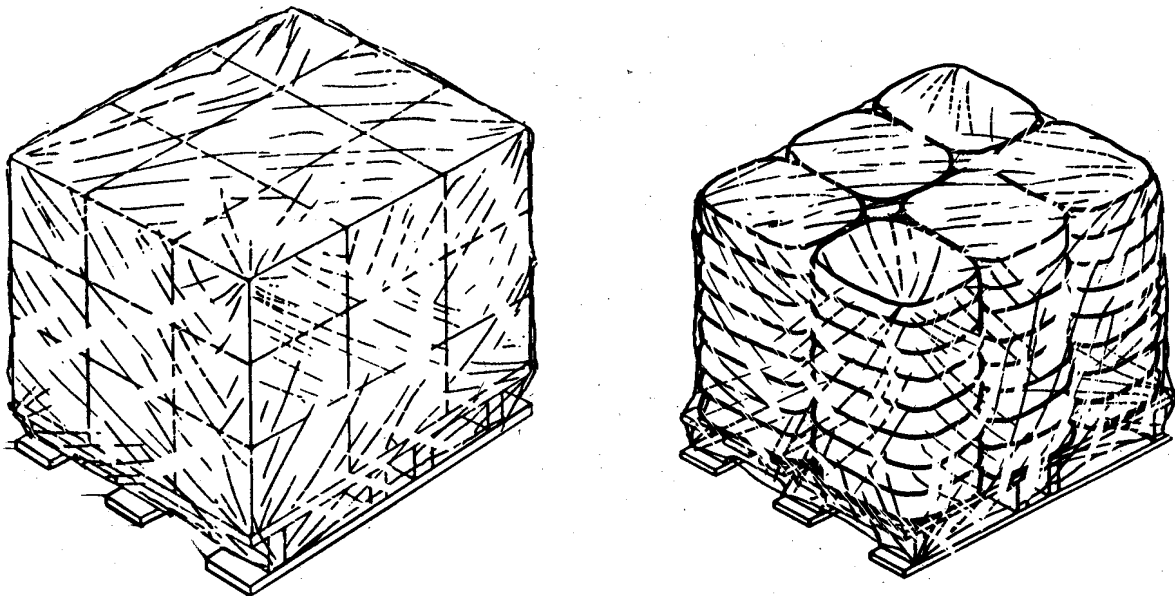


FIGURE 38. Bonding method F (shrink wrap) (see 5.3.4.1).

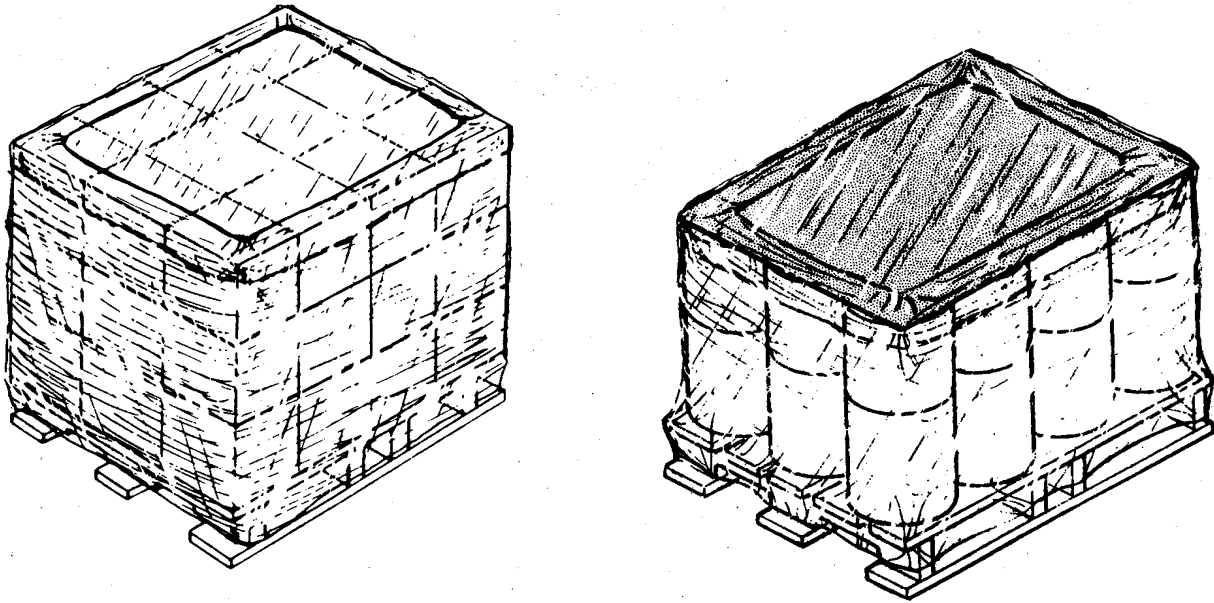


FIGURE 39. Bonding method G (stretch wrap) (see 5.3.4.2).

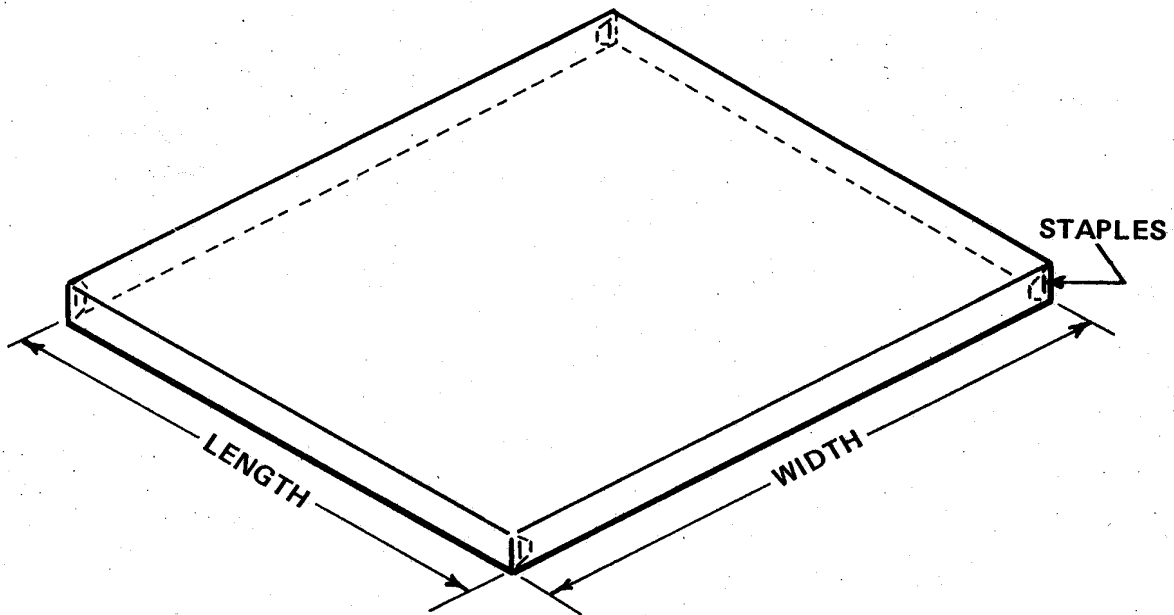
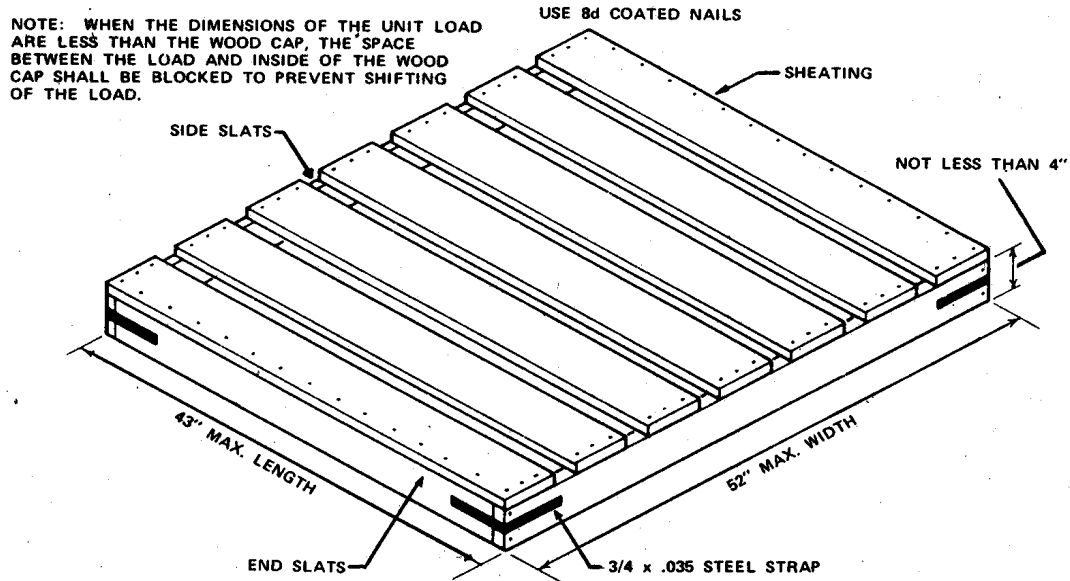


FIGURE 40. Stability dunnage type 4 (fiberboard cap - one piece construction) (see 5.4.3.2).

(OPEN CAP)



(CLOSED CAP)

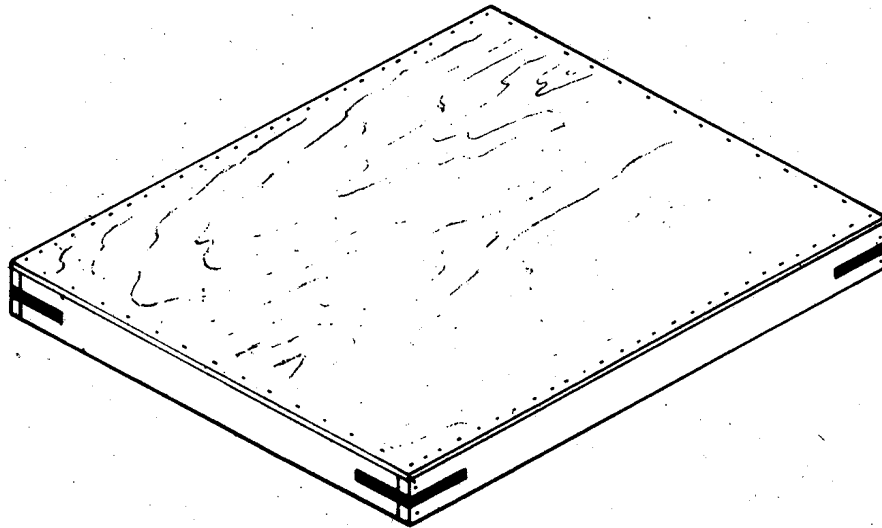


FIGURE 41. Stability dunnage type 5 (open and closed wood caps) (see 5.4.3.3).

MIL-STD-147E
w/CHANGE 2

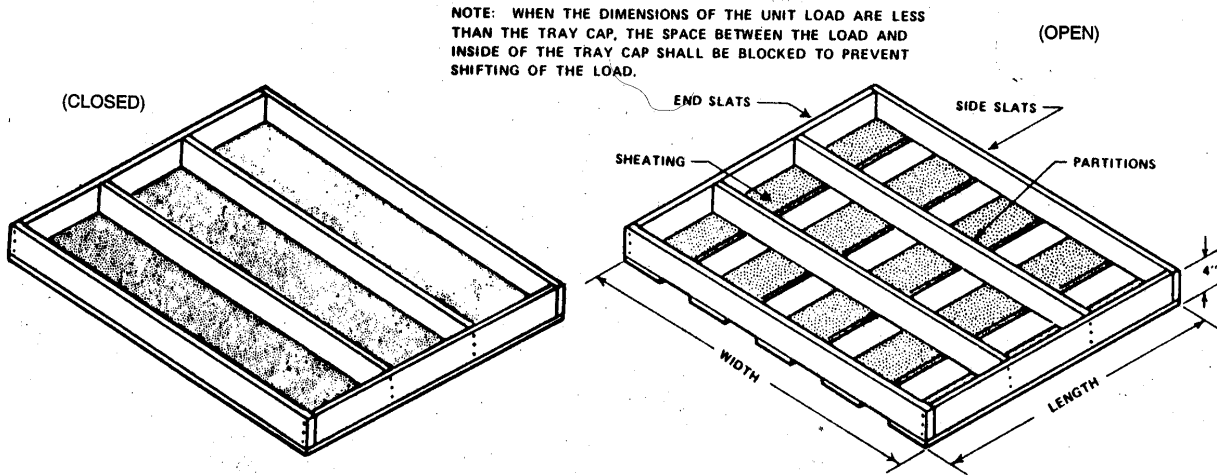


FIGURE 42. Stability dunnage type 6 (open and closed tray caps) (see 5.4.3.4).

NOTE: WHEN THE DIMENSIONS OF THE UNIT LOAD ARE LESS THAN THE DOUBLE TRAY CAP, THE SPACE BETWEEN THE LOAD AND INSIDE OF THE DOUBLE TRAY CAP SHALL BE BLOCKED TO PREVENT SHIFTING OF THE LOAD.

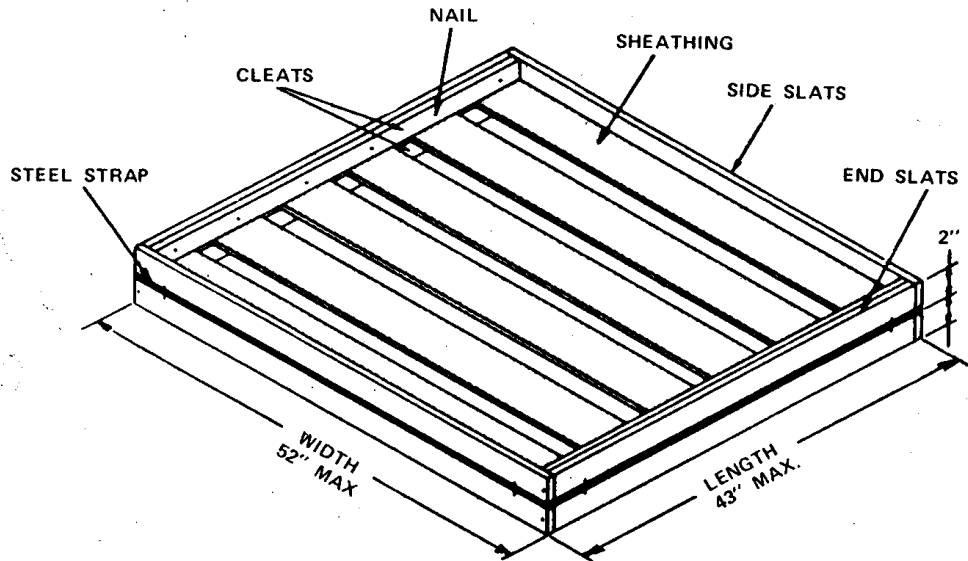


FIGURE 43. Stability dunnage type 7 (double tray caps) (see 5.4.3.5).

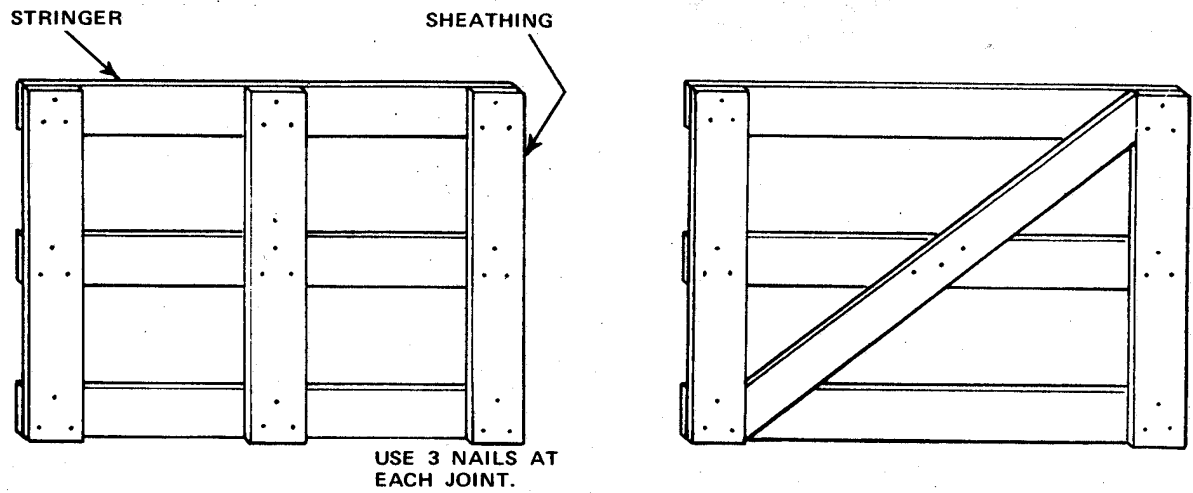


FIGURE 44. Top, side, or end frame (typical) (see 5.4.6).

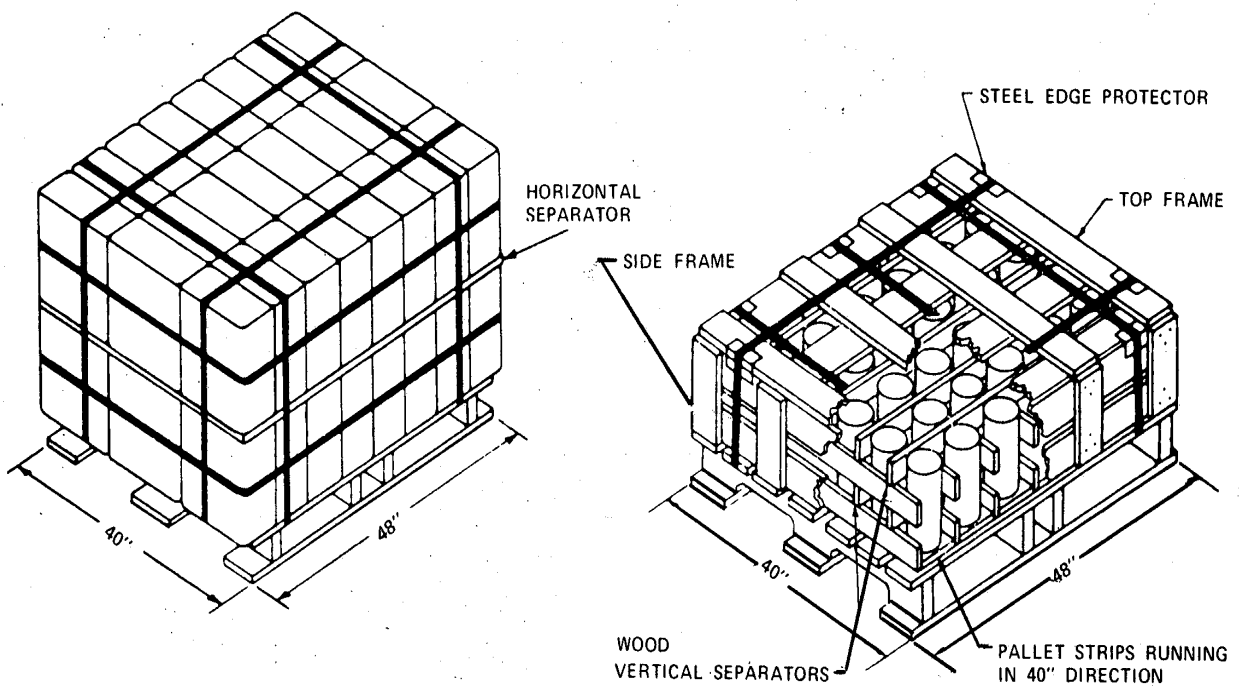


FIGURE 45. Stability dunnage type 15 or 16
(horizontal separator -
fiberboard or wood)
(see 5.4.9.1 and 5.4.9.2).

FIGURE 46. Stability dunnage type 18
(vertical wood separator)
(see 5.4.9.4).

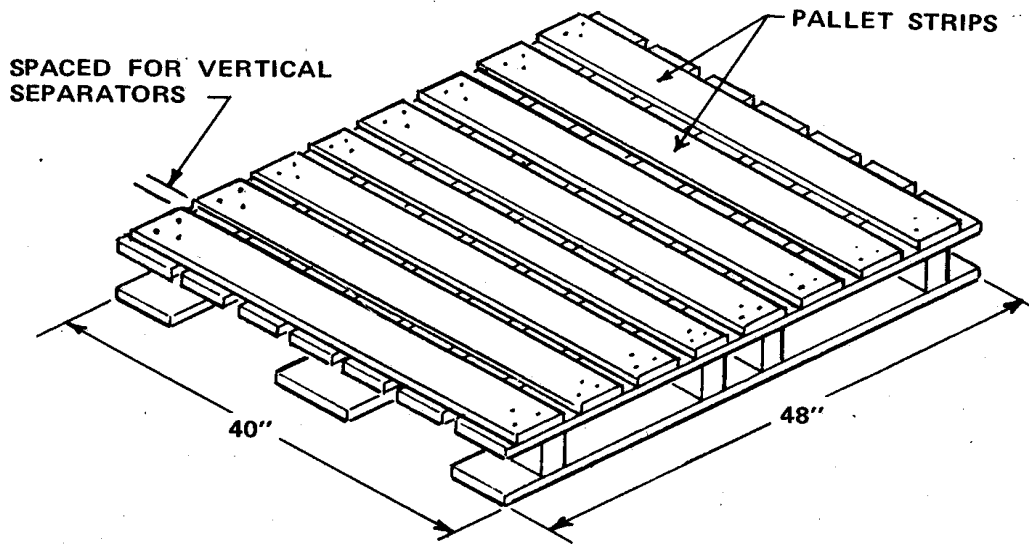


FIGURE 47. Stability dunnage type 19 (pallet strips) (see 5.4.10).

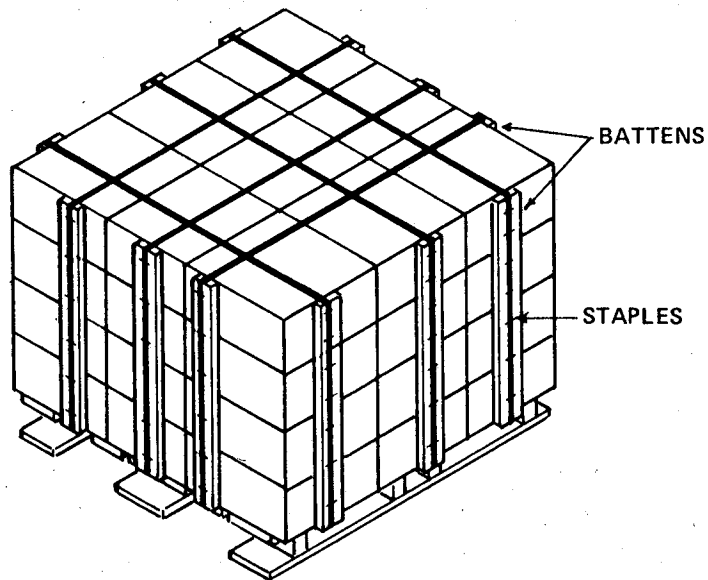


FIGURE 48. Stability dunnage type 20 (cross-strap batten) (see 5.4.11.1).

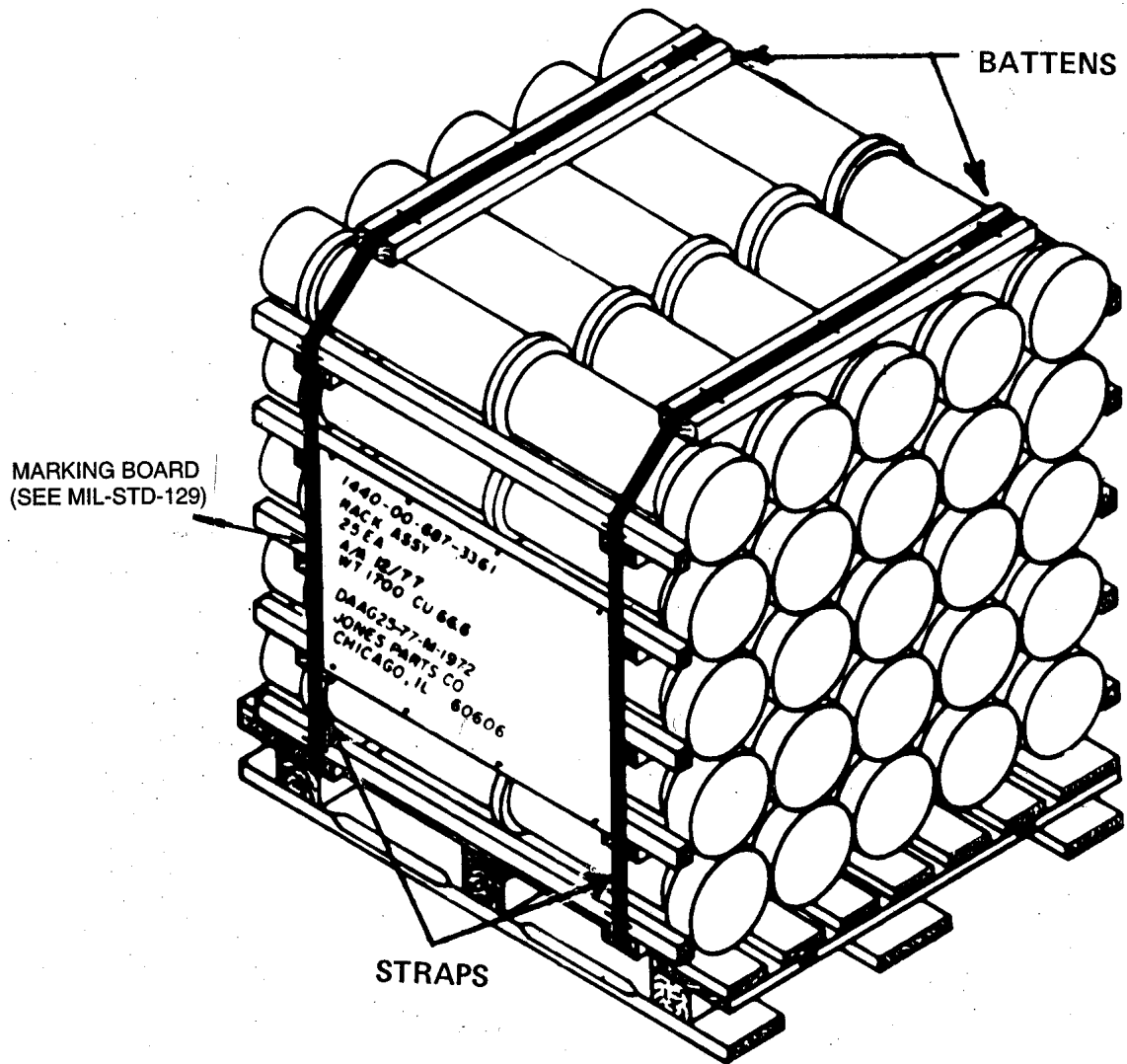


FIGURE 49. Stability dunnage type 21 (battens under- or over-the-load) (see 5.4.11.2).

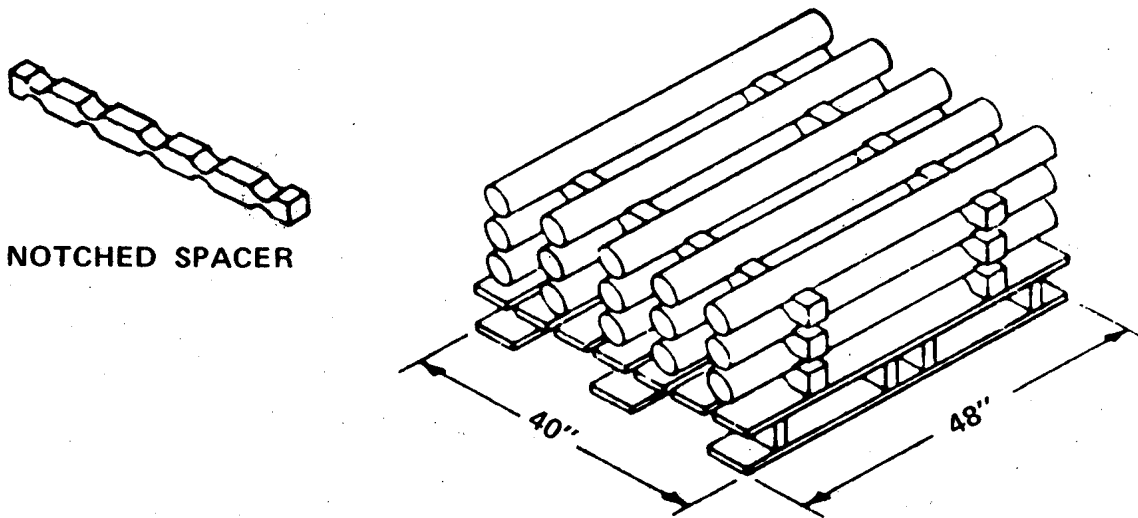


FIGURE 50. Stability dunnage type 25 (notched spacers) (see 5.4.13).

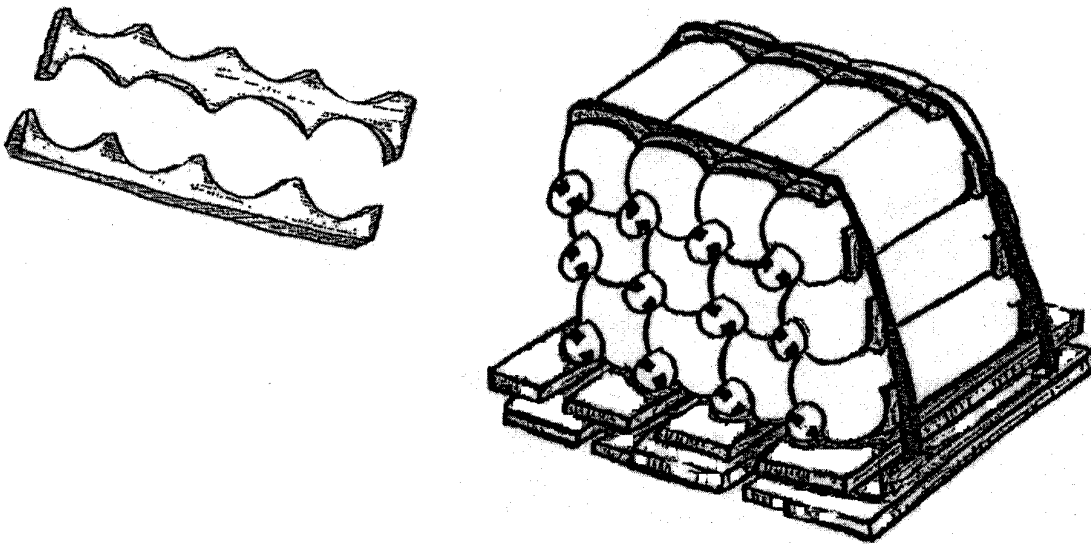


FIGURE 51. Stability dunnage type 25 (notched spacers) (see 5.4.13).

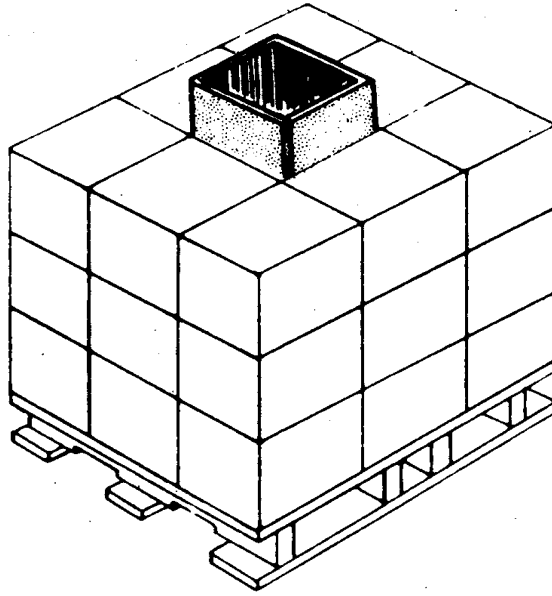


FIGURE 52. Stability dunnage type 28 (chimney filler) (see 5.4.16).

APPENDIX A

CLASSIFICATION OF COMMODITIES OR UNITS BY LOAD TYPE (see 4.1.4)

A.1 SCOPE

A.1.1 Scope. The various load types, bonding methods, and stability dunnage associated with palletized unit loads are discussed in detail in section 5. When determining the bonding method(s) and stability dunnage to be used with a specific load type, many variables associated with the physical characteristics of the commodities or units need to be considered. For most commodities or units, there are no right or wrong bonding methods or stability dunnage types to be used. There are usually several combinations available which will provide the necessary unitized load protection. To assist in developing palletized unit loads, the load types, bonding methods, and stability dunnage are listed in this Appendix. In addition, there is a list of commodities, units, and containers with their associated load types and recommended bonding methods and stability dunnage for use during palletization of the unit load. This Appendix is a mandatory part of the standard. The information contained herein is intended for compliance.

A.2 LOAD TYPES, BONDING METHODS, AND STABILITY DUNNAGE

A.2.1 Load types. Loads are grouped into load types for the designation of bonding methods and stability dunnage. The load types are:

- a. Load type I - Rectangular wood boxes, metal boxes, or other stable, hard surface units.
- b. Load type Ia - Fiberboard boxes stacked in single or multiple layers.
- c. Load type II - Rectangular bales or bundles.
- d. Load type III - Closed-head, top-nesting, cylindrical or rectangular cans, pails, or buckets utilizing wood caps.
- e. Load type IIIa - Same as load type III except that stretch wrap is used instead of wood caps.
- f. Load type IV - Cylindrical or rectangular cans or pails with removable covers (5-gal, filled, paint cans).
- g. Load type V - Nested, empty cans, pails, buckets, etc., and non-covered, internal nesting units.

APPENDIX A

- h. Load type VI - Flat paper stock or printed matter and rolls of cloth or fabric requiring weatherproof wrapping.
- i. Load type VII - Storage batteries, window lights, and similar units requiring separator supports.
- j. Load type VIII - Rectangular units with irregular surfaces requiring stability dunnage.
- k. Load type IX - Compressed gas cylinders (oxygen, or other gases).
- l. Load type X - Cellular load configurations requiring vertical separators.
- m. Load type XI - Reels, spools, coils, or rolls of wire, rope, and hose.
- n. Load type XII - Heavy, vertically nested barrels, casks, or small drums in a single layer requiring a wood cap over and under the load.
- o. Load type XIIIa - Drums or barrels on a 40- by 48-inch pallet, with an inverted tray and cap.
- p. Load type XIIIb - Drums or barrels arranged vertically but without caps, suitable for shrink- or stretch-wrap bonding.
- q. Load type XIIIc - Drums or barrels arranged vertically with caps, suitable for strapping.
- r. Load type XIII - Cylindrical units such as rolls of wire and barrels and small drums stacked vertically in multiple layers.
- s. Load type XIV - Fiberboard nested packer.
- t. Load type XV - Bagged units (units packed in cloth bags, plain paper bags, or lined paper bags) arranged in inter-locking layers.
- u. Load type XVI - Sectional pallet box (units of great value or extreme fragility).
- v. Load type XVII - Unstable, small and odd-shaped units that require a framed load.
- w. Load type XVIII - Contents incapable of supporting loads and requiring a minimum framed pallet.

APPENDIX A

A.2.2 Bonding methods. Bonding methods are used to secure units of materiel and a pallet together into a consolidated and stable load which itself can be handled as a unit. The number of bonding methods has been reduced from 15 to 7 by combining the 7 horizontal strap methods into 1 method (horizontal straps) and the 3 tie-down strap methods into 1 method (tie-down straps). These changes will permit more leeway when selecting the types of horizontal and tie-down straps to be placed on a palletized unit load. The bonding methods are:

- a. Bonding method A – Glue stripes.
- b. Bonding method B - Glued strips.
- c. Bonding method C - Horizontal straps. Horizontal straps may be placed around a load as follows: top layer or single layer, each layer, each layer except the top, bottom of a framed load outside the frame, top of a framed load outside the frame, center of a framed load outside the frame, and one strap at the bottom of a load of compressed cylinders outside the battens. The selection of horizontal straps will vary depending on the load type and physical characteristics of the units comprising the load.
- d. Bonding method D - Tie-down straps. There are three types of tie-down straps. Primary tie-down straps pass under the pallet deck in the 40-inch direction. Secondary tie-down straps pass under the pallet deck in the 48-inch direction. Auxiliary tie-down straps are placed on a load after the primary and secondary straps are applied.
- e. Bonding method E - Auxiliary load straps. They secure only the load because they pass under the load but not under the pallet deck.
- f. Bonding method F - Shrink wrap.
- g. Bonding method G - Stretch wrap.

A.2.3 Stability dunnage. Stability dunnage shall always be used when bonding alone is insufficient. They are constructed of paper, PE sheeting, canvas, fiberboard, wood, steel, or other materials. The types of stability dunnage are:

- a. Stability dunnage type 1 - Metallic edge protector.
- b. Stability dunnage type 2 - Nonmetallic edge protector.
- c. Stability dunnage type 3 - Canvas cap.

APPENDIX A

- d. Stability dunnage type 4 - Fiberboard cap.
- e. Stability dunnage type 5 - Wood cap.
- f. Stability dunnage type 6 - Tray cap.
- g. Stability dunnage type 7 - Double tray cap.
- h. Stability dunnage type 8 - Canvas cover.
- i. Stability dunnage type 9 - Weatherproof wrapping.
- j. Stability dunnage type 10 - Side frames.
- k. Stability dunnage type 11 - Top frame.
- l. Stability dunnage type 12 - End frame.
- m. Stability dunnage type 13 - Frame supports.
- n. Stability dunnage type 14 - Separator supports.
- o. Stability dunnage type 15 - Horizontal fiberboard separator.
- p. Stability dunnage type 16 - Horizontal wood separator.
- q. Stability dunnage type 17 - Separator for nested container.
- r. Stability dunnage type 18 - Vertical wood separator.
- s. Stability dunnage type 19 - Pallet strips.
- t. Stability dunnage type 20 - Cross-strap battens.
- u. Stability dunnage type 21 - Under- or over-the-load battens.
- v. Stability dunnage type 22 - Oxygen cylinder battens.
- w. Stability dunnage type 23 - Gas cylinder battens.

APPENDIX A

- x. Stability dunnage type 24 - Wood collar.
- y. Stability dunnage type 25 - Notched wood spacer.
- z. Stability dunnage type 26 - Sectional pallet box.
- aa. Stability dunnage type 27 - Nested packer.
- bb. Stability dunnage type 28 - Chimney filler.
- cc. Stability dunnage type 29 - Polyethylene sheeting, 1 mil.

A.3 CLASSIFICATION OF COMMODITIES AND CONTAINERS

A.3.1 List of commodities and containers. The following list of commodities or units and containers indicates the classification by load type and also denotes the preferred bonding methods and stability dunnage to be used with each commodity or unit. Various combinations of bonding methods and stability dunnage may be used with each palletized unit load predicated on such variables as the size and weight of the units comprising the load, the load type to be used, and the cost to palletize the load. Because of similarities among the load types, some commodities or units may qualify as more than one load type. Because of this, there is no right or wrong combinations. Each palletization effort must be evaluated on its own merit. Bonding methods and stability dunnage listed in parentheses shall be used to meet specific requirements. These requirements are explained in the paragraphs in section 5 for the specific bonding method or stability dunnage type being considered.

NOTE: Paragraphs 5.3.4.1 and 5.3.4.2 describe bonding methods F (shrink wrap) and G (stretch wrap), respectively. When shrink-wrap bonding is selected, other methods of bonding do not apply. When stretch-wrap bonding is selected, other methods of bonding are not necessary but may be used such as over-the-load straps to bond a unitized load to the pallet.

APPENDIX A

Commodity or unit	Load type	Bonding methods	Stability dunnage
<u>Accessories:</u>			
In cartons, without cleats, staples or straps	I, Ia	A, C, D, F, G	1, 2, (28), (29)
In other cartons or wood wood boxes	I, Ia	B, C, D, F, G	(1), 2, (28), (29)
In small containers	XVII	C, D, F, G	1, 2, 10, (11), 13
In unstable containers	XVII	C, D	1, 2, (5), 10
Unboxed, stacked horizontally, tubes, axles, pipes (long narrow items), miscellaneous items	XVII	(C), D	1, 5, 10, (25)
<u>Air hose on spools or reels:</u>	XI	C, D	(21)
<u>Batteries, storage, single layer:</u>			
In substantial wood boxes	I	C, D, (E)	(1)
Units not over 11 inches high	VII	D	(5), (14)
Units over 11 inches high	VII	(C), D, (E)	(5), (10), (12), (14)
<u>Batteries, packaged dry storage, storage, multiple layers:</u>	I	(C), D, (E)	1, 2, (5), (28)
<u>Boxes, fiberboard:</u>			
Without cleats, staples or straps	I, Ia	A, C, D, F, G	1, 2, (28), (29)
<u>Boxes, multiple-layer loads:</u>			
Metal, lightweight	VIII	C, D	(1), (4), 15, (28)
Metal, medium, heavy and extra heavy weight, with unlevel tops or bottoms	VIII	D	(5), (7)
Metal, medium thru extra heavy weight, with level tops and bottoms	VIII	C, D	(20), (21), (28)
Wood (except containing storage batteries or small glass window lights)	I	B, C, D	(28)
Wood or metal, small size	XVII	(C), D	1, 10, (11)
Wood or metal, unstable	XVII	C, D	1, (5), 10, 13, (16)

MIL-STD-147E
w/CHANGE 2

APPENDIX A

Commodity or unit	Load type	Bonding methods	Stability dunnage
<u>Cargo net (not boxes):</u>	XVII	(C), D	1, 2, (5), 10
<u>Cartons, fiberboard:</u>			
Without cleats, staples or straps (see boxes, fiberboard)	I, Ia	A, C, D, F, G	1, 2, (28), (29)
<u>Cartons (other):</u>			
Fire extinguishers, portable	XVII	(C), D	1, 2, (5), 10, (16)
Cartons, without cleats, staples, or straps	I, Ia	A, (C), (D), F	1, 2, (28), (29)
Other weatherproof cartons or wood boxes	I, Ia	B, (C), (D)	(1), 2, (28), (29)
Packed any method (not weatherproof)	VI	C, D	1, 2, (5), 9, 10
<u>Coils:</u>			
Jute, in coils, unboxed	XI	C, (D)	(5), (11), (21)
Rope, large coils	XI	C, (D)	(5), (11), (21)
Rope, small coils	XI	C, (D)	(5), (11), (21)
Rope, stable coils	XI	C, (D)	(5), (11), (21)
Rope, unstable coils	XVII	(C), D	1, (5), 10
Wire rope, unboxed (not on reels)	XVII	(C), D	1, (5), 10
Wire (not wire rope) not reeled, unboxed	XVII	(C), D	1, (5), 10
<u>Cylinders:</u>			
Stacked horizontally in a load:			
Empty cylinders over 20 inches long, multiple layers	XVII	(C), D	(21), (25)
Stacked vertically in a load:			
Carbon dioxide, small	XVII	(C), (D)	1, (5), 10
Compressed gas:			
Oxygen	IX	C, (D)	(21), 23, 24
Miscellaneous gases	IX	C, (D)	(21), 23, 24
Cylinders not over 20 inches long, multiple layers	XVII	(C), D	1, 10, 11, 13, (16)

APPENDIX A

Commodity or unit	Load type	Bonding methods	Stability dunnage
<u>Drums, filled:</u> (Usually 30-gal size or less, excluding 55-gal size):			
Metal or nonmetal, non-tapered, without bilges, single layer	XII, XIIa, XIIb	D, F, (G)	1, 2, (5), (15), (29)
Metal or nonmetal, tapered or with bilges, single layer	XII, XIIa, XIIb	D, F, (G)	1, 2, (5), (15), (29)
Metal or nonmetal, multiple layers	XIII	D, F, G	1, 2, (5), (7)
<u>Drums or barrels, 55-gal size, filled or empty:</u>	XIIa, XIIb, XIIc	C, (D), (F)	1, 2, (5)
<u>Fiberboard sheets, uncontained:</u>	VIII	C, D	1, 2, (10), (11)
<u>Gas, compressed (stacked horizontally):</u>			
Other (in cylinders not exceeding load limits or not restricted to vertical placement)	XVII	(C), D	1, (5), 10, (25)
<u>Hose:</u>			
In cartons without cleats, staples, or straps	I	A, C, D	1, 2, (28)
In unstable cartons or boxes	XVII	(C), D	1, 2, (5), 10
In wood boxes or cartons with cleats, staples, or straps	I	B, C, D	(1), (28)
Unboxed, on reels or spools	XI	C, (D)	(5), (11), (21)
<u>Items of great value:</u>	XVI	D	(15), (17), 26
<u>Kerosene in rectangular cans, cans, unboxed:</u>	VIII	C, D	(15), (20), (21)

APPENDIX A

Commodity or unit	Load type	Bonding methods	Stability dunnage
<u>Liquids or semiliquids:</u>			
(In contained, cylindrical cans or pails):			
Multiple layers, non-top nesting	XIII	D	(5), (7)
Single layer, nontapered	XVI	C, D	5, (15)
Single layer, tapered	XIII	D	(5), (7)
Small size, unboxed	XVII	(C), D	1, 2, 10, (11), 13, (16)
Pails, 5-gal paint type, removable cover	IV	D	6
<u>Pails:</u>			
Cartons with cleats, staples, or straps, or in wood boxes (not crates)	I	B, (C), D	(1), (2), (28), (29)
Cartons without cleats, staples, or straps	I	A, (C), D	1, 2, (28), (29)
5-gal paint type, removable cover	IV	D	(6)
Multiple layers, non-top nesting	XIII	D	(5), (7)
<u>Printed matter (books), pamphlets, other paper products):</u>			
In cartons or wood boxes with inner weatherproof protection:			
Cartons with cleats, staples, or straps, or in wood boxes	I, Ia	B, (C), (D), F	(1), (2), (28), (29)
Cartons, without cleats, staples, or straps	I, Ia	A, (C), (D), F	1, 2, (28), (29)
Packed any method, not weatherproof	VI	(C), D	1, 2, (5), 9, (10)

APPENDIX A

Commodity or unit	Load type	Bonding methods	Stability dunnage
<u>Provisions in bags:</u>			
Cloth, liable to damage by strapping	XV	C, (D), F, G	(1), 2, 8, (21), (29)
Cloth, other	XV	C, D	(1), 2, 8, 21
Paper, lined, compactable	XV	(A), C, (D), F, G	(1), 2, 8, (21), (29)
Paper, plain (unlined)	XV	C, (D), F, G	(1), 2, 8, (21), (29)
<u>Provisions in cartons:</u>			
In wood boxes	I	B, C, D	(1), (28)
Other boxes	I, Ia	B, C, D, F	(1), 2, (28)
Without cleats, staples, or straps	I, Ia	A, C, D, F	(1), 2, (28)
<u>Reels or rolls of:</u>			
Barbed wire, large	XI	C, (D)	(5), (11), (21)
Barbed wire, small	XI	C, (D)	(5), (11), (21)
Electrical wire or cable	XI	C, (D)	(5), (11), (21)
Seizing wire	XI	C, (D)	(5), (11), (21)
Wire rope	XI	C, (D)	(5), (11), (21)
<u>Spare parts or tools:</u>			
In cartons with cleats, staples, or straps, or in wood boxes (not crates)	I, Ia	B, C, D, F	(1), (2), (28)
In cartons without cleats, staples, or straps	I, Ia	A, C, D, F, G	1, 2, (28), (29)
In metal boxes (spare parts or tools):			
Lightweight	VIII	C, D	1, 4, 15, (28)
Multiple layers, medium, heavy, and extra heavy weight, with unlevel tops and bottoms	VIII	D	(5), (7)
Multiple layers, medium thru extra heavy weight, with level tops and bottoms	VIII	C, D	(20), (21), (28)

MIL-STD-147E
w/CHANGE 2

APPENDIX A

Commodity unit	Load type	Bonding methods	Stability dunnage
Not boxed, cylindrical or long and narrow	XVII	(C), D	1, (5), 10, 25
Not boxed, large, odd-shaped	XVII	(C), D	1, (5), 10, (16)
Single layer, nontapered	I	C, D	1, 2, (28)
Single layer, tapered	XVII	D	(5), (7)
Small sized	XVII	(C), D	1, 10, (11), 13, (16)
Unstable containers (spare parts or tools)	XVII	(C), D	1, (5), 10

APPENDIX B

LOAD PATTERN SELECTION (see 5.1)

B.1 SCOPE

B.1.1 Scope. Shipping containers in each palletized unit load shall be uniformly arranged in a load pattern as determined by table B-I, pages 77 through 79, and shown in figure B-1, pages 80 through 84. When the size of the individual shipping container does not fit any of the load patterns of table B-1, the proposed load pattern or request to use a different size pallet shall be submitted to the contracting officer for approval. This is only required when the contract calls for palletizing in accordance with MIL-STD-147; otherwise, this type deviation would not be in violation of MIL-STD-147 requirements. This Appendix is a mandatory part of the standard. The information contained herein is intended for compliance.

B.2 DETERMINATION OF LOAD PATTERN

B.2.1 Use of table B-I. The following steps shall be followed when using table B-I:

a. Determine the length and width of the individual shipping container. For fractions, round up to the nearest half inch.

b. Locate the length of the container at the top of the table and the width of the container at the left side of the table. The container pattern number shall be found at the intersection of the two columns. Height may be substituted for width or length when the containers are of sufficient strength to withstand superimposed loads, and where such placement will cause no adverse effect in the shipment or storage of the materiel. For example, a container that is 15 inches (L) by 12 inches (W). Use table B-1 on page 77 to determine the corresponding load pattern. In this example, locate 15 inches (the length of the container at the top of the table) and 12 inches (the width of the container at the left side of the table). The container pattern number is found at the intersection of the two columns, which is 11. To determine the pattern configuration for 11 proceed to figure B-1 on page 80 and locate the illustration for pattern 11.

c. Where no pattern is listed, the area efficiency is below 80 percent and palletization cannot be accomplished by these methods (see section 5).

B.2.2 Use of figure B-1. After determining the container pattern number from table B-I, the corresponding load pattern may be found in figure B-1. This load pattern will be used when constructing the palletized unit load. Void spaces, marked by dark areas, should be filled with stability dunnage such as a chimney filler.

MIL-STD-147E
w/CHANGE 2

APPENDIX B

TABLE B-I. Load pattern determination.

		INCHES IN LENGTH																																	
		6	6½	7	7½	8	8½	9	9½	10	10½	11	11½	12	12½	13	13½	14	14½	15	15½	16	16½	17	17½	18	18½	19	19½	20	20½	21	21½		
INCHES IN WIDTH	6	122	122	118	115	115	115	71	77	111	120		65	65	60	106	106	46	45	45	62	100	100	100	78	78	78	78	78	76	76	76	76		
	6½		121	121	67	67	67	24	61	61	120	65	65	38	63	63	75	75	62	62	58	58	58	58	47	47	19	19	119	42	42	42	42		
	7			117	66	59	114	24	110	110	116	49	49	49	105	75	75	75	39	99	99	99	99	99	19	19	19	19	42	42	42	42	42		
	7½					113	113	64	64	64	74	25	25	57	57	57	73	73	73			27	27	27	77	77	77	72	72	72	72	72	72		
	8						113	113	64	64	23	74	25	25	22	22	22	44	44		27	27	27	27	27	77	77	72	72	72	72	30	30	30	
	8½							113	74	74	109	112	25	25	22	22	22	44	44	27	27	27	27	27	98	72	72	30	30	30	30	30	30	30	
	9										108	108	48	21	21	21	20	18	18	15	15	15	15	14	97						26	26	26	26	
	9½										108	108	48	21	20	20	20	18	18	14	14	14	14	14	97			26	26	26	26	26	26	26	
	10											108	21	21	20	20	17	17	17	14	14	14	14	14	97			26	26	26	26	26	26	26	
	10½												104	104	104	104	104	17	16	29	29	12	12	97	97	26	26	26	26	26	26	26	26	82	
	11																	28	28	28	11	11	9	9	9	26	26	26	26	8	8	8	102	102	
	11½																	28	28	28	11	11	9	9	9	26	8	8	8	8	8	8	102	102	
	12																	28	28	28	13	11	11	9	9	9	8	8	8	8	7	7	102	102	
	12½																	28	28	13	11	11	9	9	9	9	8	7	7	7	7	102	102		
	13																	13	103	103	11	11	9	9	9	9	7	7	7	7	7	102	102		
	13½																					37	37	37	96	96	7	7	7	5	5	5	5	5	
	14																					37	37	91	91	91	91	7	7	7	5	5	5	5	
	14½																																	4	4
	15																																	4	4
	15½																																4	4	95
	16																															4	95	95	95
	16½																											4	4	4	95	95	95	95	95
	17																											4	95	95	95	95	95	95	95
	17½																																		
	18																																		
	18½																																		
	19																																		
	19½																																		
	20																																		
	20½																																		
	21																																		6
	21½																																		
	22																																		
	22½																																		
	23																																		
	23½																																		
	24																																		
	24½																																		
	25																																		
	25½																																		
	26																																		
	26½																																		
	THRU																																		
34																																			
34½																																			
35																																			
35½																																			
36																																			
36½																																			
37																																			
37½																																			
38																																			
38½																																			
39																																			
39½																																			
40																																			
40½																																			
41																																			
41½																																			
42																																			
42½																																			
43																																			

APPENDIX B

TABLE B-I. Load pattern determination (continued).

		INCHES IN LENGTH																																			
		22	22½	23	23½	24	24½	25	25½	26	26½	27	27½	28	28½	29	29½	30	30½	31	31½	32	32½	33	33½	34	34½	35	35½	36	36½	37	37½				
INCHES IN WIDTH	6	43	43	56	56	56	56	34	34	34	34	81	81	81			10	10	10	70	70	70	70	70	70	70	55	55	55	55	55	55	55	124			
	6½	56	56	56	56	34	34	34	34	34							10	10	10	80	80	80	80	80	55	55	55	55	55	55	55	55	69	69			
	7	41	41	33	33	33	93	93	93	10	10	10	10	10	10	10	10	10	10	80	80	80	80	80	55	55	55	55	55	55	55	55	69	69			
	7½	40				10	10	10	10	10	10	10	10	10													68	68	68	68	68	68	68	68	50		
	8	40	10	10	10	10	10	10	10	10	10	10	10	10													68	68	68	68	68	68	68	68	50		
	8½	10	10	10	10	10	10	10	10	10	10							68	68	68	68	68	68	68	68	68	68	68	68	68	68	68	68	68	50		
	9		36	36	36	36	36	36	36	92	92																	68	68	68	68	68	68	68	68	50	
	9½	36	36	36	36	92	92	92	92	92																		68	68	68	68	68	68	68	68	50	
	10	36	36	36	92	92	92	92	92	92																		68	68	68	68	68	68	68	68	50	
	10½	92	92	92	92	92	92	92	92	92																										31	
	11																																			31	
	11½																																			31	
	12																																			31	
	12½																																			31	
	13																																			31	
	13½	32	32	32	32	32	32	32	91	91																										31	
	14	32	32	32	32	32	91	91	91	91																										31	
	14½																																			31	
	15																																			31	
	15½																																			31	
	16																																			31	
	16½	3	3	3	3	3	3	3	3	3																									31		
	17	3	3	3	3	3	3	3	3	3																									31		
	17½																																			31	
	18																																			31	
	18½																																			31	
	19																																			31	
	19½																																			31	
	20																																			31	
	20½	6	6	6	90	90	90	90	90	90																									31		
	21	6	6	90	90	90	90	90	90	90																									31		
	21½																																			31	
	22																																			31	
	22½																																			31	
	23																																			31	
	23½																																			31	
	24																																			31	
	24½																																			31	
	25																																			31	
	25½																																			31	
	26																																			31	
	26½																																			31	
	THRU																																			31	
34																																			31		
34½																																			31		
35																																			31		
35½																																			31		
36																																			31		
36½																																			31		
37																																			31		
37½																																			31		
38																																			31		
38½																																			31		
39																																			31		
39½																																			31		
40																																			31		
40½																																			31		
41																																			31		
41½																																			31		
42																																			31		
42½																																			31		
43																																			31		

APPENDIX B

TABLE B-I. Load pattern determination (continued).

		INCHES IN LENGTH																															
		38	38½	39	39½	40	40½	41	41½	42	42½	43	43½	44	44½	45	45½	46	46½	47	47½	48	48½	49	49½	50	50½	51	51½	52			
INCHES IN WIDTH	6	124	124	124	124	124	52	52	52	52	52	52	123	123	123	123	123	123	123	123	123	123	123	123	123	123	123	123	123	123	123		
	6½	69	69	69	51	51	51	51	51	51	51	51	88	88	88	88	88	88	88	88	88	88	88	88	88	88	88	88	88	88	88		
	7	69	51	51	51	51	51	51	51	51	51	51	88	88	88	88	88	88	88	88	88	88	88	88	88	88	88	88	88	88	88		
	7½	50	50	50	50	50	50	50	50	50	50	50											87	87	87	87	87	87	87	87	87		
	8	50	50	50	50	50	50	50	50	50	50	50											87	87	87	87	87	87	87	87	87	87	
	8½	50	50	50	50	50	50	50	50	50	50	50											87	87	87	87	87	87	87	87	87	87	
	9							31	31	31	31	31	31																				
	9½	31	31	31	31	31	31	31	31	31	31	31	107																				
	10	31	31	31	31	31	31	31	31	31	31	107	107																				
	10½	31	31	31	31	31	31	31	31				86	86	86	86	86	86	86	86	86	86	86	86	86	86	86	86	86	86	86	86	
	11									2	101	101	101	101																			
	11½										2	101	101	101	101																		
	12	2	2	2	2	2	2	101	101	101	101	101	101	101																			
	12½	2	2	2	2	2	101	101	101	101	101	101	101	101																			
	13	2	2	101	101	101	101	101	101	101	101	101	101	101																			
	13½	2																															
	14	2																															
	14½																																
	15																																
	15½																																
	16	94	94	94	94	94	94	94	94	94	94	94	94	94	94	94	94	94	94	94	94	94	94	94	94	94	94	94	94	94	94		
	16½	94	94	94	94	94	94	94	94	94	94	94	94	94	94	94	94	94	94	94	94	94	94	94	94	94	94	94	94	94	94		
	17	94	94	94	94	94	94	94	94	94	94	94	94	94	94	94	94	94	94	94	94	94	94	94	94	94	94	94	94	94	94		
	17½																																
	18																																
	18½																																
	19																																
	19½																																
	20																																
	20½																																
	21																																
	21½																																
	22																																
	22½																																
	23																																
	23½	89	89	89	89	89	89	89	89	89	89	89	89	89	89	89	89	89	89	89	89	89	89	89	89	89	89	89	89	89	89		
	24	89	89	89	89	89	89	89	89	89	89	89	89	89	89	89	89	89	89	89	89	89	89	89	89	89	89	89	89	89	89		
	24½	89	89	89	89	89	89	89	89	89	89	89	89	89	89	89	89	89	89	89	89	89	89	89	89	89	89	89	89	89	89		
	25	89	89	89	89	89	89	89	89	89	89	89	89	89	89	89	89	89	89	89	89	89	89	89	89	89	89	89	89	89	89		
	25½	89	89	89	89	89	89	89	89	89	89	89	89	89	89	89	89	89	89	89	89	89	89	89	89	89	89	89	89	89	89		
	26	89	89	89	89	89	89	89	89	89	89	89	89	89	89	89	89	89	89	89	89	89	89	89	89	89	89	89	89	89	89		
	26½																																
	THRU																																
34																																	
34½																																	
35																																	
35½																																	
36																																	
36½																																	
37																																	
37½																																	
38																																	
38½																																	
39																																	
39½																																	
40																																	
40½																																	
41																																	
41½																																	
42																																	
42½																																	
43																																	

APPENDIX B

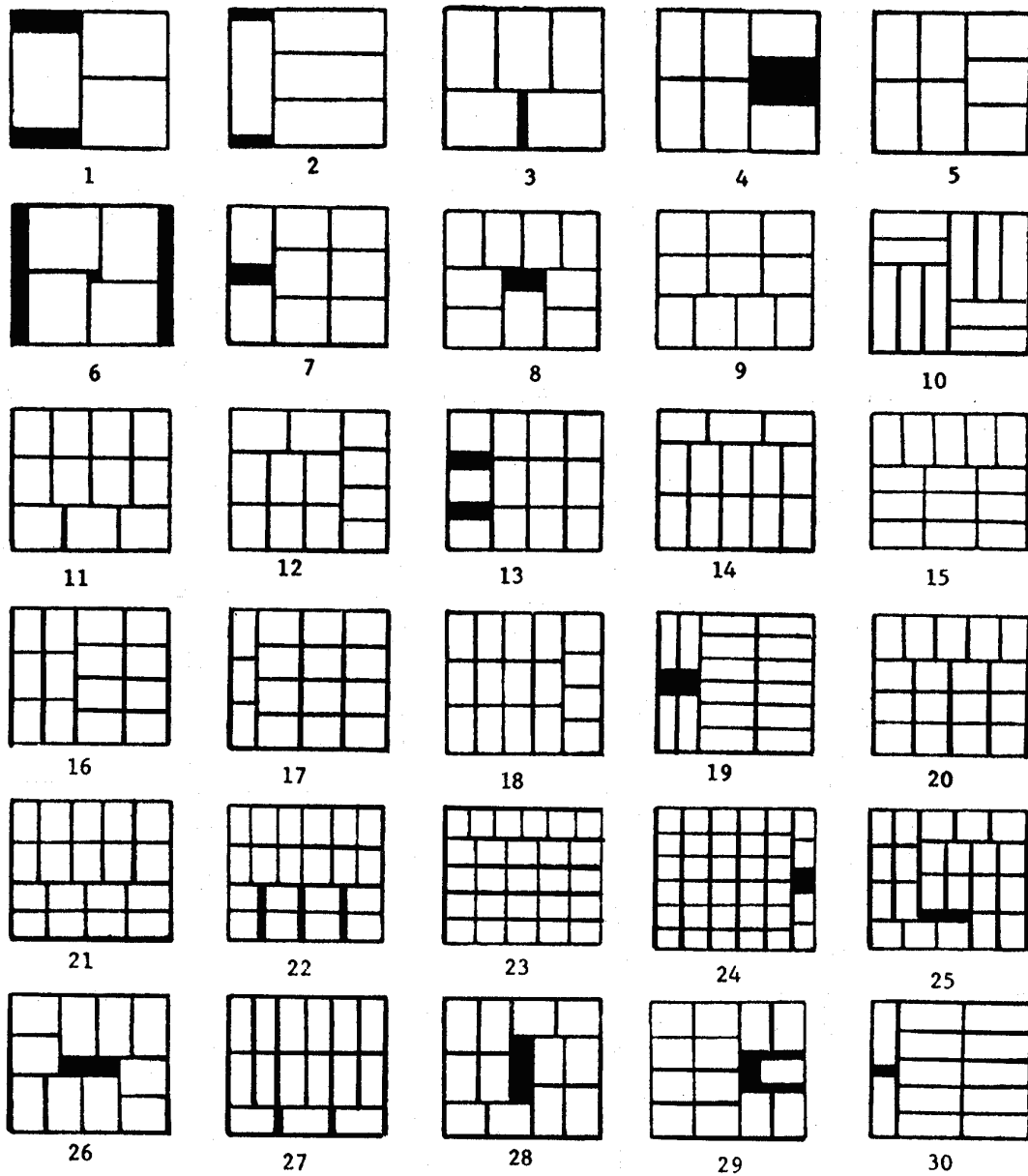


FIGURE B-1. Load pattern on 40- by 48-inch pallets (see A.2.2).

APPENDIX B

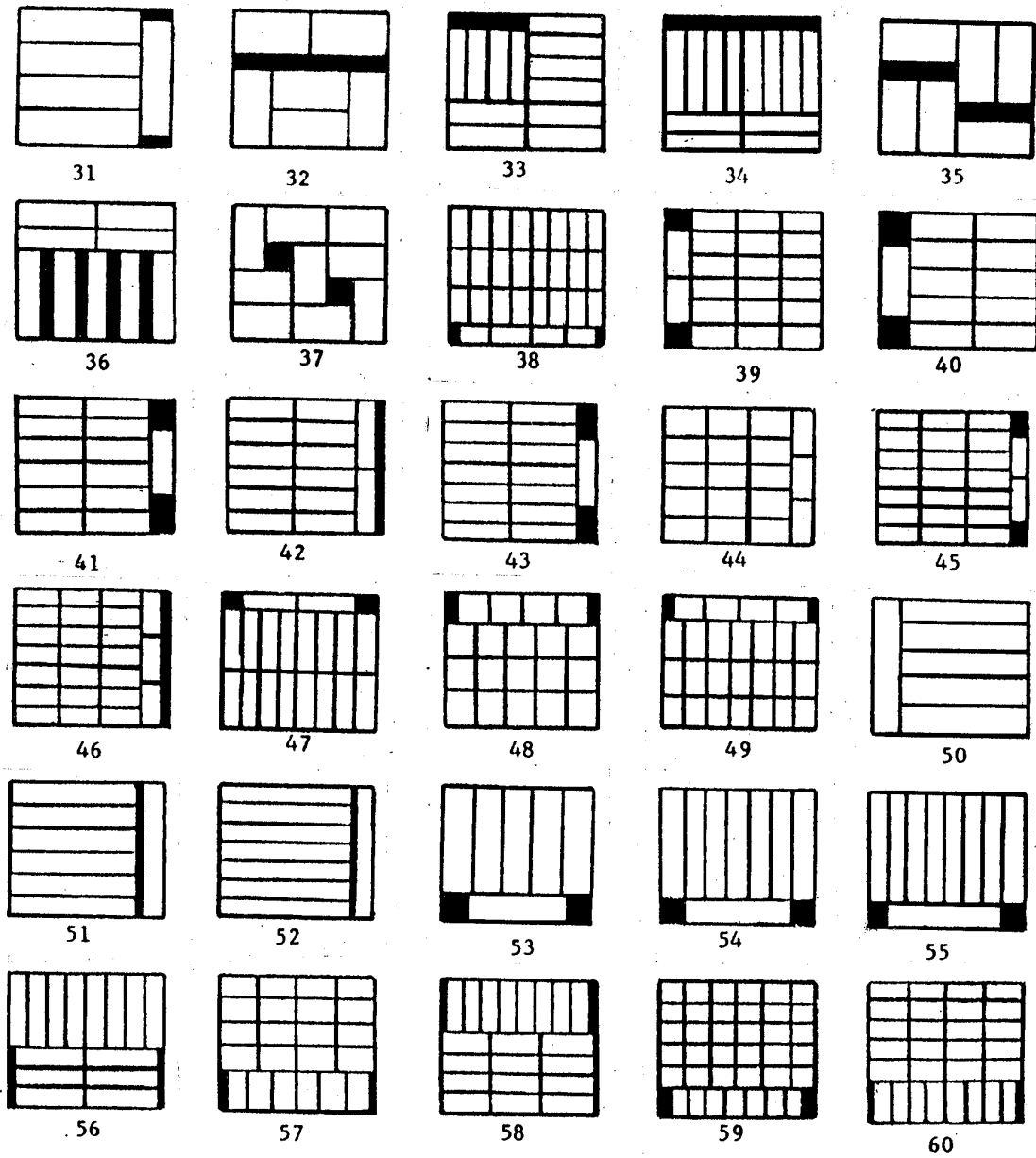


FIGURE B-1. Load patterns on 40- by 48-inch pallets (see A.2.2) (continued).

APPENDIX B

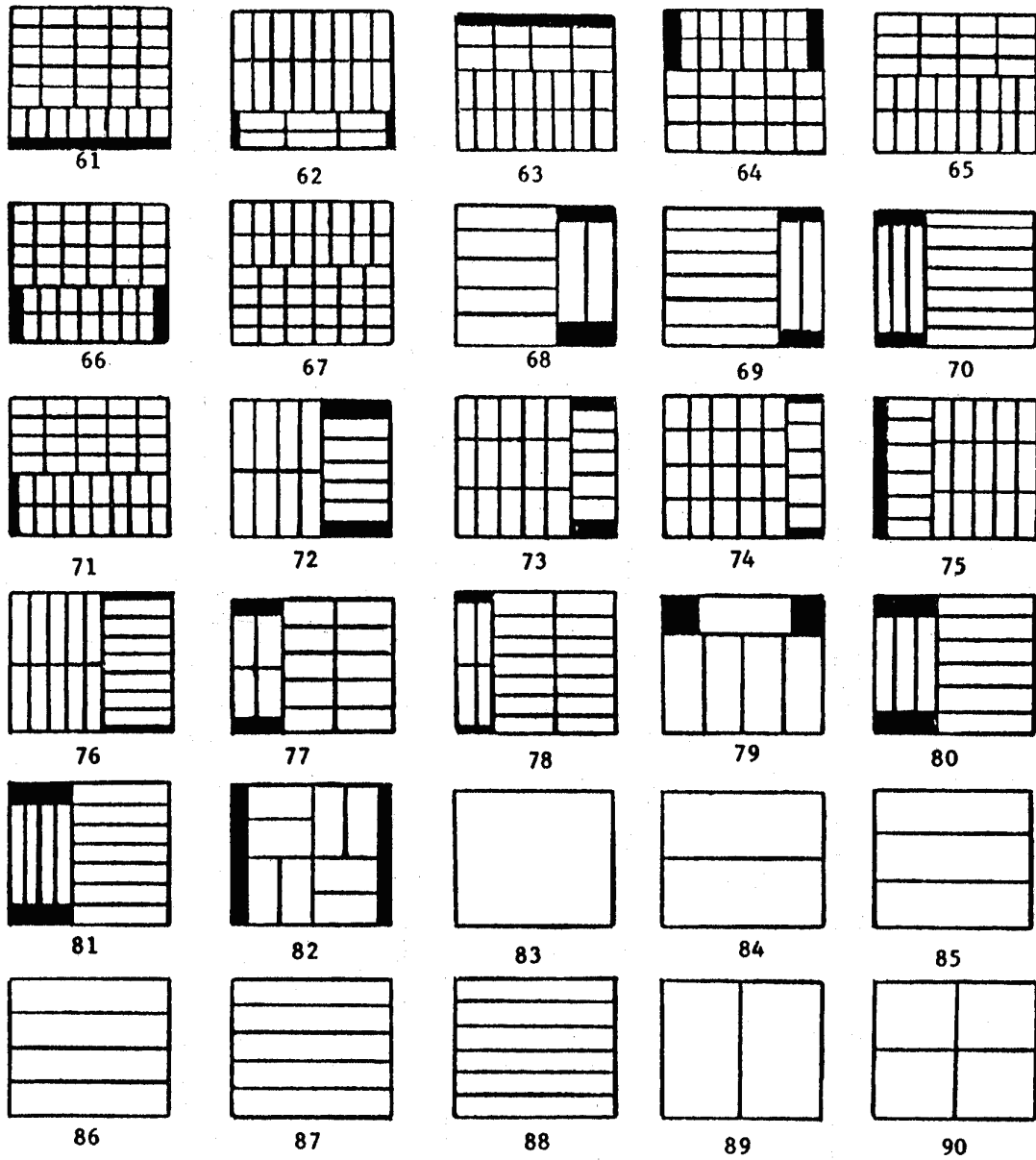


FIGURE B-1. Load patterns on 40- by 48-inch pallets (see A.2.2) (continued).

APPENDIX B

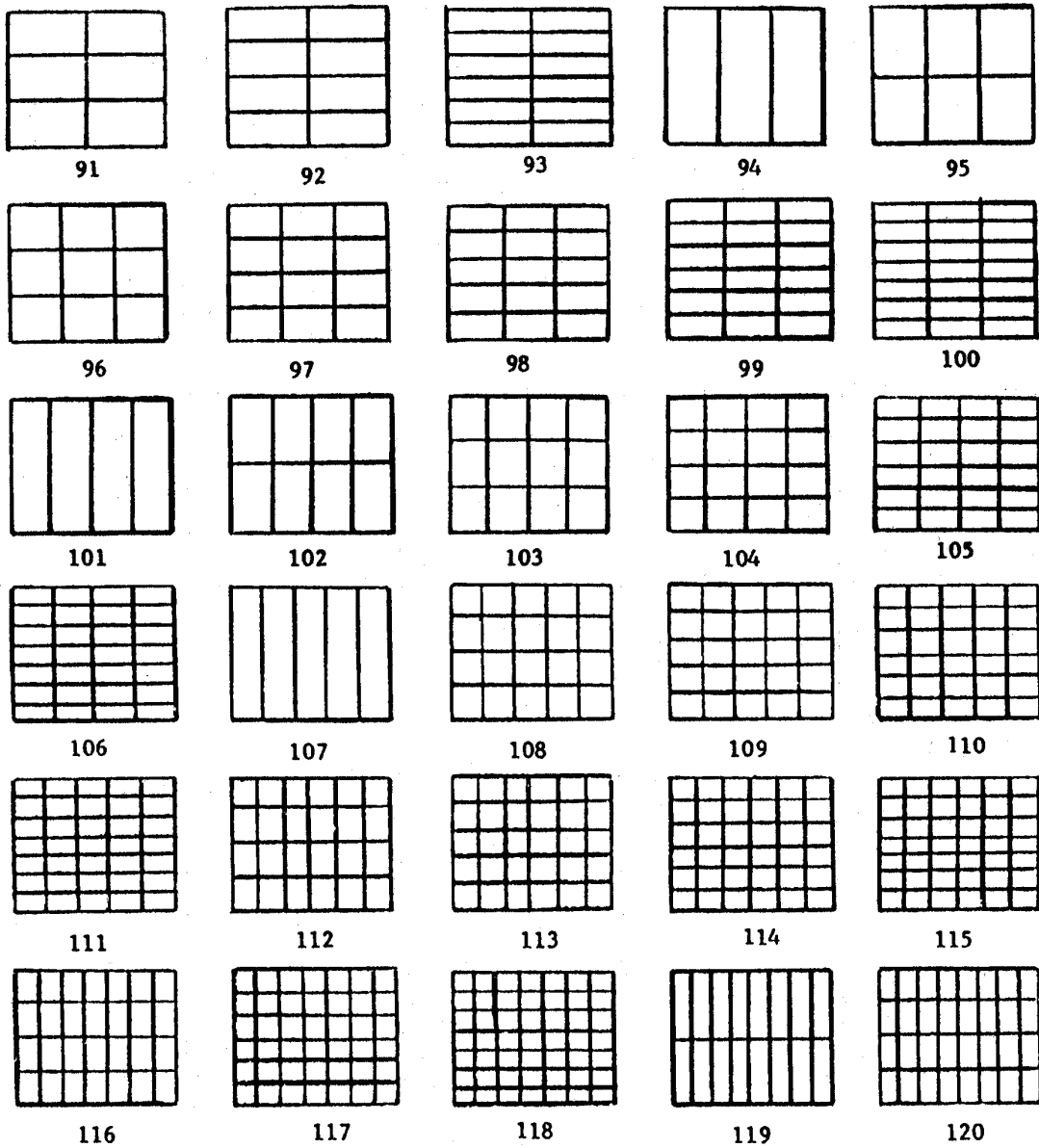


FIGURE B-1. Load patterns on 40- by 48-inch pallets (see A.2.2) (continued).

APPENDIX B

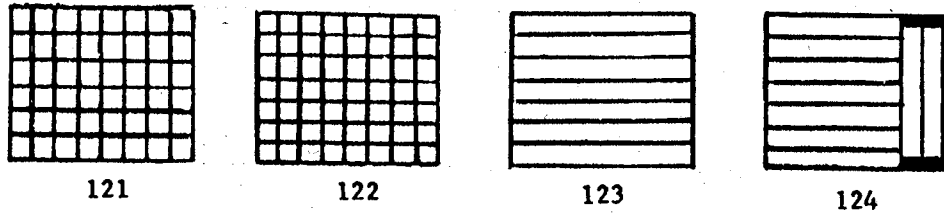


FIGURE B-1. Load patterns on 40- by 48-inch pallets (see A.2.2) (continued).

APPENDIX C

STANDARD CONTAINERS FOR MODULAR PACKAGING UNITIZATION (see 5.1.2.1)

C.1 SCOPE

C.1.1 Scope. In order to achieve maximum utilization of cubic space when shipping materiel in ISO configured freight containers, basic data is provided herein for a series of standard size unit, intermediate, and exterior containers fabricated from fiberboard, plywood, or wood for use in modular packaging unitization applications. The modular containers are designed so that the dimensions of the unit pack fit the intermediate container, which in turn fits the exterior container for eventual unitization in ISO configured freight containers. The standard containers listed herein shall be used when appropriate but are not mandatory for use when separate containers designed for specific categories of commodities have been established. This Appendix is a mandatory part of the standard. The information contained herein is intended for compliance.

C.2 APPLICABLE DOCUMENTS

C.2.1 General. The documents listed below are not necessarily all of the documents referenced herein, but are those needed to understand the information provided by this Appendix.

C.2.2 Government documents.

C.2.2.1 Specifications, standards, and handbooks. The following specifications form a part of this document to the extent specified herein.

FEDERAL SPECIFICATIONS

PPP-B-566 - Boxes, Folding, Paperboard

(Copies of these documents are available online at <https://assist.dla.mil> or <https://quicksearch.dla.mil> .)

ASTM INTERNATIONAL

ASTM D1974/D1974M - Standard Practice for Methods of Closing, Sealing, and Reinforcing Fiberboard Boxes
ASTM D5118/D5118M - Standard Practice for Fabrication of Fiberboard Shipping Boxes

APPENDIX C

- ASTM D5168 - Standard Practice for Fabrication and Closure of Triple-Wall Corrugated Fiberboard Containers
- ASTM D6251/D6251M - Standard Specification for Wood-Cleated Panelboard Shipping Boxes

(Copies of ASTM International standards are available at <http://www.astm.org/Standard/> or from ASTM International, 100 Barr Harbor Drive, P.O. Box C700, West Conshohocken, PA 19428-2959, telephone 877-909-2786, (USA & Canada), (610) 832-9585 (International).)

C.3 STANDARD UNIT AND INTERMEDIATE CONTAINERS

C.3.1 General specifications and classifications. Standard unit and intermediate container requirements, including weight limitations and classifications, are in accordance with the applicable documents referenced in tables C-I and C-II.

C.3.2 Dimensions. Inside dimensions expressed in inches for the standard unit and intermediate containers shall be as indicated in tables C-I and C-II. Sizes were designed to fit standard exterior cleated panelboard (ASTM D6251/D6251M) and standard exterior nailed wood boxes, which have the smallest inside dimensions. Dimensions for the ASTM D6251/D6251M box are based on the use of ½-inch plywood with 7/8-inch cleats, while dimensions for the standard exterior nailed wood box are based on the use of 3/4-inch lumber. The actual thickness of the plywood and wood is determined by the weight of the contents of each box. Detailed information is included in the applicable box specification.

C.4. STANDARD EXTERIOR CONTAINERS

C.4.1 General specifications and classifications. Standard exterior container requirements and classifications are in accordance with the applicable specifications referenced above and tables C-III through C-VII.

C.4.2 Dimensions. Inside dimensions in inches and inside cubic measurements for standard exterior containers shall be as specified in tables C-III through C-VII.

C.4.3 Maximum weight limitations. Maximum weight limitations for standard size exterior containers shall be in accordance with the applicable box specification.

APPENDIX C

C.5 STANDARD CARTON DETERMINATION, SELECTION, AND APPLICABILITY

C.5.1 Standard carton determination. Determination of the most effective packaging procedure(s) and standard container(s) to be utilized shall be in accordance with prescribed packaging policies and procedures. Consideration shall be given to such things as load type, level(s) of protection, and size of items to be shipped. ASTM D1974/D1974M provides the standard practice for methods of closing, sealing, and reinforcing fiberboard shipping containers used for shipment.

C.5.2 Unit and intermediate standard container selection. When determined to be needed in the packaging procedure, the appropriate standard unit container or unit and intermediate container shall be selected from tables C-I and C-II according to the corresponding specification listed above each table and the appropriate dimensions determined by the size of the items being packaged. The standard container sizes are numerically designated 1 through 13 and are listed in column 1 of these tables. The standard quantity per modular container (intermediate or exterior) is indicated in column three of each table. Standard intermediate containers, which have been modularly sized to hold unit containers 1 through 5 shall be selected from column 4 of table C-I, and standard exterior containers which have been modularly pre-sized to hold intermediate I containers 6 through 13 shall be selected from column 4 of table C-II. The five different standard exterior containers listed herein are numbered 14 through 18.

C.5.3 Exterior standard container selection. Standard exterior containers shall be selected from tables C-III through C-VII according to the applicable specification cited above each table and the appropriate dimensions and cubes determined from the items' sizes. The exterior container sizes, designated 14 through 18 in all five tables, are considered to be the "same size" for modular grouping, and reference purposes. Actual sizes differ slightly because of the inherent physical characteristics of each type container (for example, wood, plywood, and fiberboard). To illustrate the use of tables C-III through C-VII, consider the selection of box No. 3 of PPP-B-566 as the standard unit container for a modular packaged unitized load. Columns 3 and 4 of table C-I show that 75 of the No. 3 containers can be placed in standard intermediate container No. 7, which is box No. 7 of ASTM D5118/D5118M shown in table C-II. Columns 3 and 4 of table C-II show that 12 of the No. 7 containers can be placed in standard exterior container No. 14, which can be any No. 14 container of the 5 different box specifications listed in tables C-III through C-VII.

APPENDIX C

C.6 PALLETIZED UNIT LOADS

C.6.1 Palletized unit load arrangements. Palletized unit loads of standard exterior containers shall be arranged on 40- by 48-inch pallets without overhangs and voids to provide maximum cube utilization when containerized in ISO configured freight containers.

C.6.2 Palletized unit load arrangements for standard exterior cartons of the same size. Palletized unit load arrangements for standard exterior containers, which are all of the same size when formed on a 40- by 48-inch pallet are shown in table C-VIII. The table describes each arrangement in terms of number of boxes per layer, number of layers per unit load, and total number of boxes per unit load. These arrangements are illustrated in figures C-1 through C-4 to show unit load arrangements for box Nos. 15 through 18, respectively. Box No. 14, consisting of 1 palletized container, which in itself constitutes a unit load, is not shown.

C.6.3 Palletized unit load arrangements for standard exterior cartons of mixed sizes. Palletized unit load arrangements of standard exterior containers, which are comprised of different size cartons within the unit load are illustrated in figures C-5 and C-6.

C.6.4 Palletized unit load arrangement applicability. Palletized unit load arrangements shown herein are not intended to be all inclusive or mandatory for use. Other arrangements may be used when dictated by specific packaging requirements.

C.6.5 Palletized unit load height and weight limitations. The unit load weight shall not exceed 3,000 pounds per single pallet load (see 5.1.1.2), while the height should not exceed 43 inches including the pallet base for unit loads prepared for shipment in ISO configured freight containers when 2-pallet high stacking is desirable.

C.6.6 Securing unitized loads to pallets. Unitized loads shall be secured to pallets by the application of shrink-wrap bonding (see 5.3.4.1) or by strapping (see 5.3.3.1 through 5.3.3.3).

APPENDIX C

TABLE C-I. Standard unit containers.
PPP-B-566, variety 1, style II, type D, classes a and e.

Box size No.	Inside dimensions (inches)			No. per intermediate container	Intermediate container No.
	Length	Width	Depth		
1	10 7/8	by 5 7/8	by 7 5/8	12	6
2	7 3/4	by 5 7/8	by 4 1/8	30	6
3	5 7/8	by 4 1/4	by 1 3/4	75	7
4	4 1/4	by 2 7/8	by 1 3/4	120	8
5	2 7/8	by 1 7/8	by 1 3/4	150	11

TABLE C-II. Standard unit and intermediate containers.
ASTM D5118/D5118M, types CF, SF; class domestic and weather-resistant; variety single-wall; grades 125, 175, 200, 275, V3c, W5c; style RSC, other styles may be applicable.

Box size No.	Inside dimensions (inches)			No. per exterior container	Exterior container No.
	Length	Width	Depth		
6	22 1/8	by 18 1/4	by 15 7/8	8	14
7	22 1/8	by 18 1/4	by 10 1/4	12	14
8	22 1/8	by 18 1/4	by 7 1/2	16	14
9	22 1/8	by 18 1/8	by 6 7/8	8	15
10	18 1/8	by 10 3/8	by 15 7/8	8	16
11	18 1/8	by 10 3/8	by 10 1/4	12	16
12	18 1/8	by 10 3/8	by 6 7/8	8	17
13	10 1/8	by 8 1/4	by 6 7/8	8	18

APPENDIX C

TABLE C-III. Standard exterior cleated plywood containers.
ASTM D6251/D6251M, type domestic and overseas;
styles A, B, I, and J.

Box size No.	Inside dimensions (inches)			Inside cube
	Length	Width	Depth	
14	45 1/4	by 37 1/4	by 33 1/4	32.43
15	45 1/4	by 37 1/4	by 15 1/4	14.88
16	37 1/4	by 21 1/4	by 33 1/4	15.23
17	37 1/4	by 21 1/4	by 15 1/4	6.98
18	21 1/4	by 17 1/4	by 15 1/4	3.23

TABLE C-IV. Standard exterior nailed wood containers.

Box size No.	Inside dimensions (inches)			Inside cube
	Length	Width	Depth	
14	45	by 38 1/2	by 34 1/2	34.59
15	45	by 38 1/2	by 16 1/2	16.54
16	37	by 22 1/2	by 34 1/2	16.62
17	37	by 22 1/2	by 16 1/2	7.94
18	21	by 18 1/2	by 16 1/2	3.71

APPENDIX C

TABLE C-V. Standard exterior wirebound containers.

Box size No.	Inside dimensions (inches)			Inside cube
	Length	Width	Depth	
14	45 1/2	by 39 1/4	by 35 1/4	36.43
15	45 1/2	by 39 1/4	by 17 1/4	17.83
16	39 1/4	by 23 1/4	by 35 1/4	18.62
17	39 1/4	by 23 1/4	by 17 1/4	9.11
18	23 1/4	by 19 1/4	by 17 1/4	4.47

TABLE C-VI. Standard exterior triple-wall fiberboard containers.
ASTM D5168, class 1, weather and nonweather-resistant, fire-retardant,
weather-resistant, style A, B, C.

Box size No.	Inside dimensions (inches)			Inside cube
	Length	Width	Depth	
14	47	by 39	by 34	36.07
15	47	by 39	by 16	16.97
16	39	by 23	by 34	17.65
17	39	by 23	by 16	8.31
18	23	by 19	by 16	4.05

APPENDIX C

TABLE C-VII. Standard exterior double-wall fiberboard containers.
ASTM D5118/D5118M, type CF, class domestic and class weather-resistant,
variety double-wall, style RSC, other styles may be applicable.

Box size No.	Inside dimensions (inches)			Inside cube
	Length	Width	Depth	
14	47 1/2	by 39 1/2	by 35	38.00
15	47 1/2	by 39 1/2	by 17	18.46
16	39 1/2	by 23 1/2	by 35	18.80
17	39 1/2	by 23 1/2	by 17	9.13
18	23 1/2	by 19 1/2	by 17	4.51

TABLE C-VIII. Unit load arrangements of exterior containers on a 40- by 48-inch pallet.

Box size No.	No. of boxes per layer	No. of layers per unit load	No. of boxes per unit load
14	1	8	14
15	1	12	14
16	2	16	14
17	2	8	15
18	4	8	16

APPENDIX C

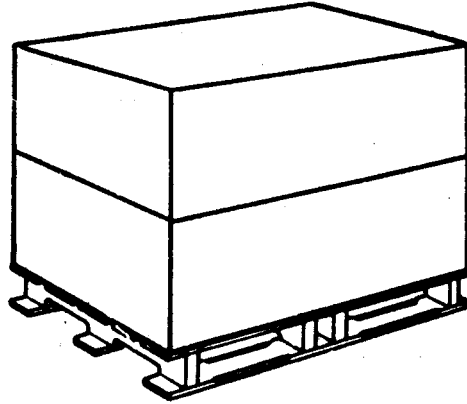


FIGURE C-1. Unit load arrangement for standard exterior container No. 15 (same size)
(see C.6.2).

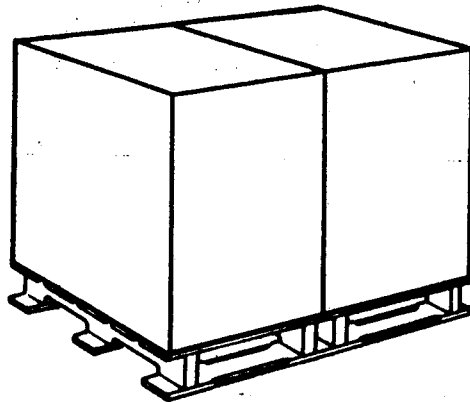


FIGURE C-2. Unit load arrangement for standard exterior container No. 16 (same size)
(see C.6.2).

APPENDIX C

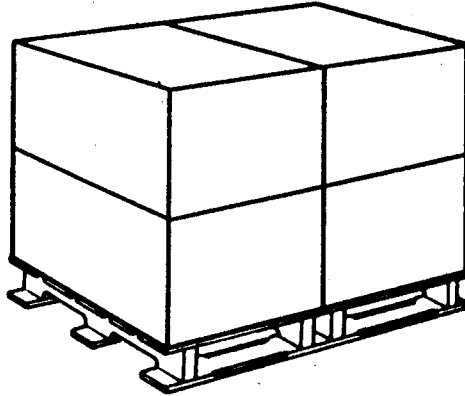


FIGURE C-3. Unit load arrangement for standard exterior container No. 17 (same size)
(see C.6.2).

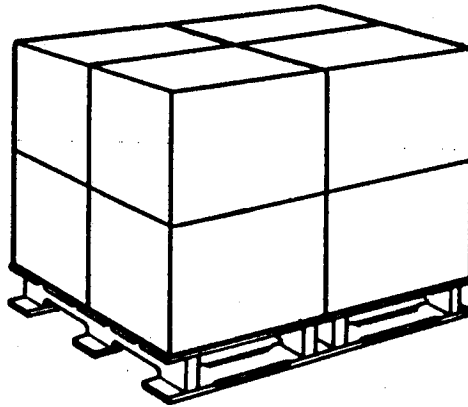


FIGURE C-4. Unit load arrangement for standard exterior container No. 18 (same size)
(see C.6.2).

APPENDIX C

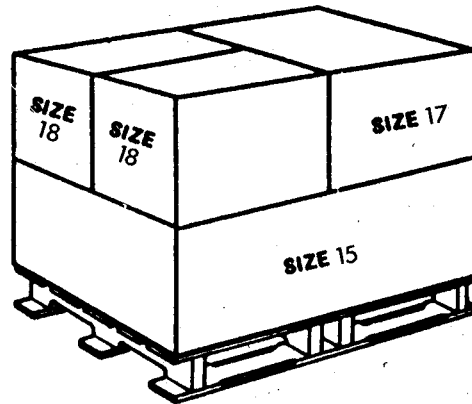


FIGURE C-5. Unit load arrangement for standard exterior containers Nos. 15, 17, and 18 (mixed sizes) (see C.6.3).

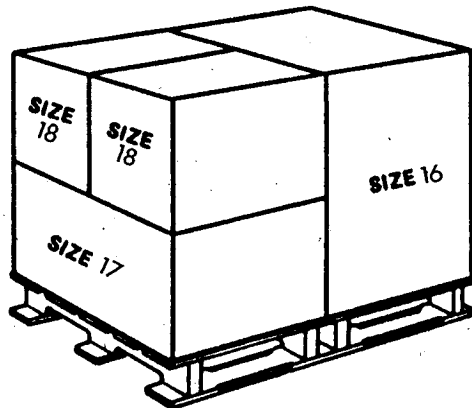


FIGURE C-6. Unit load arrangement for standard exterior containers Nos. 16, 17, and 18 (mixed sizes) (see C.6.3).

INDEX

	PARAGRAPH	PAGE
Abbreviations	3.1	6
Auxiliary strap	3.35.1	11
	5.3.3.2	24
Bagged units	5.2.15	20
	Appendix A (A.2.1t)	67
Bales or bundles	5.2.2	18
	Appendix A (A.2.1c)	66
Battens	3.3	7
	5.4.11 -	34
	5.4.11.3	36
Bonding methods	3.4.1	7
	5.3.1 -	21
	5.3.4.2	26
	Appendix A (A.2.2)	68
Canvas cap	5.4.3.1	27
	Appendix A (A.2.3c)	68
Canvas cover	5.4.4	30
	Appendix A (A.2.3h)	69
Caps	3.5	7
	5.4.3 -	27
	5.4.3.5	29
Cellular load units	5.2.10	19
	Appendix A (A.2.1l)	67
Chimney filler	5.4.16	37
	Appendix A (A.2.3bb)	70
Compressed gas cylinder	5.2.9	19
	Appendix A (A.2.1k)	67
Corner supports	5.2.5	18
Cross-strap battens	5.4.11.1	35
	Appendix A (A.2.3t)	69
Crossties	3.7	7
	5.3.2.4.3	23

INDEX

	PARAGRAPH	PAGE
Cylindrical cans, pails, buckets	5.2.3	18
	5.2.3.1	18
	5.2.4	18
	5.2.13	20
	Appendix A (A.2.1d - A.2.1g)	66 66
Determination of load pattern	Appendix B (B.2)	77
	Table B-I	78
Double tray cap	5.4.3.5	29
Drums, barrels	Appendix A (A.2.3g)	69
	5.2.12 -	19
	5.2.13	20
	Appendix A (A.2.1n - A.2.1r)	67 67
End frames	5.4.6.3	32
	Appendix A (A.2.3l)	69
Customary units-metric units conversion	1.3	1
Ethylene vinyl acetate	4.1.5	13
	5.3.4.2	26
Fiberboard boxes	5.2.1.1	18
	Appendix A (A.2.1b)	66
Fiberboard cap	5.4.3.2	27
	Appendix A (A.2.3d)	69
Frames	3.12	7
	5.4.6 -	30
	5.4.6.3	32
Frame supports	3.12.1	8
	5.4.7	32
Gas cylinder battens	Appendix A (A.2.3m)	69
	3.3	7
	5.2.9	19
	5.4.11.3	36
	Appendix A (A.2.3w)	69

INDEX

	PARAGRAPH	PAGE
Glue bonding	3.13	8
	5.3.1 -	21
	5.3.1.2	21
Glued strip	3.13.2	8
	5.3.1.2	21
	Appendix A (A.2.2b)	68
Glue stripe	3.13.3	8
	5.3.1.1	21
	Appendix A (A.2.2a)	68
Horizontal fiberboard separator	3.29.2	10
	5.4.9.1	33
	Appendix A (A.2.3o)	69
	3.35.2	11
Horizontal straps	5.3.2.3.2	22
	5.3.3.1	23
	Appendix A (A.2.2c)	68
	3.29.2	10
Horizontal wood separator	5.4.9.2	34
	Appendix A (A.2.3p)	69
	3.7	7
Intersection seals	5.3.2.4.3	23
List of commodities and containers	Appendix A (A.3.1)	70
Load patterns	3.20.1	8
	4.1.3	13
	5.1	16
	Appendix B	77
	4.1.2	13
Load sizes	5.1.1.1	16
	5.1.2 -	17
	5.1.2.3	17
	3.35.1	11
Load strap, auxiliary	5.3.3.3	25
	Appendix A (A.2.2e)	68

INDEX

	PARAGRAPH	PAGE
Load types	3.20.2	8
	4.1.1	13
	5.2.1 -	18
	5.2.18	21
	Appendix A (A.2.1)	66
Marking	5.5	37
Metallic edge protector	3.9	7
	5.3.2.4.2	23
	5.4.1	26
	Appendix A (A.2.3a)	68
Metallic strapping	5.3.2	22
	5.3.2.1	22
Modular packaging unitization	5.1.2.1	17
	Appendix C	86
NATO forces	5.1.2.3	17
Navy afloat units	5.1.2.2	17
Nested units	3.24	9
	3.43	12
	5.2.5	18
	Appendix A (A.2.1g)	66
	3.24.1	9
Nested packer	5.2.14	20
	5.4.15	37
	Appendix A (A.2.1s)	67
	(A.2.3aa)	70
Nonmetallic edge protector	3.9	7
	5.3.2.4.2	23
	5.4.2	27
	Appendix A (A.2.3b)	68
Nonmetallic strapping	5.3.2	22
	5.3.2.2	22
Notched wood spacer	3.33	10
	5.4.13	36
	Appendix A (A.2.3y)	70
Overhang	3.25	9
	5.1	16

INDEX

	PARAGRAPH	PAGE
Oxygen cylinder batten	3.3	7
	5.2.9	19
	5.4.11.3	36
	Appendix A (A.2.3v)	69
Pails, cans, buckets	5.2.3	18
	5.2.3.1	18
	5.2.4	18
	Appendix A (A.2.1d – A.2.1g)	66
		66
Pallet design	3.26.1 –	9
	3.26.1.3	9
	4.1.6	14
Palletized unit load	3.27	10
	5.1	16
	5.1.1	16
	5.1.2	17
	Appendix C (C.1.1)	86
Pallet strips	3.26.3	10
	5.4.10	34
	Appendix A (A.2.3s)	69
Paper stock and printed matter	5.2.6	18
	Appendix A (A.2.1h)	67
Polyethylene	4.1.5	13
	5.3.4.1	25
	5.3.4.2	26
Polyethylene sheeting	5.4.17	37
Polyvinyl chloride	Appendix A (A.2.3cc)	70
	4.1.5	13
Primary straps	5.3.4.1	25
	5.3.4.2	26
	3.35.6	11
Rectangular metal and wood boxes	5.3.3.2	24
	5.2.1	18
	5.2.8	19
	Appendix A (A.2.1a) (A.2.1j)	66 67

INDEX

	PARAGRAPH	PAGE
Reels, coils, spools, rolls	5.2.11	19
	5.2.13	20
	Appendix A (A.2.1m)	67
Secondary straps	3.35.7	11
	5.3.3.2	24
	Appendix A (A.2.1u)	67
Sectional pallet box	5.2.16	20
	5.4.14	36
	(A.2.3z)	70
Securing straps	5.3.2.4	22
	5.3.2.4.1	22
Separators for nested containers	5.4.9.3	34
	Appendix A (A.2.3q)	69
Separators	3.29	10
	5.4.9 –	33
	5.4.9.4	34
Separator supports	3.42	12
	5.4.8	33
	Appendix A (A.2.3n)	69
Shrink wrap	3.31	10
	5.3.4.1	25
	Appendix A (A.2.2f)	68
Side frames	5.4.6.1	31
	Appendix A (A.2.3j)	69
Stability dunnage	3.34	11
	5.4 –	26
	5.4.17	37
	Appendix A (A.2.3)	68
Storage batteries	5.2.7	19
	Appendix A (A.2.1i)	67
Strap bonding methods	5.3.3 –	23
	5.3.3.3	25
Strapping	3.35	11
	5.3.2 –	22
	5.3.2.4.3	23

INDEX

	PARAGRAPH	PAGE
Stretch wrap	3.38	11
	5.3.4.2	26
Tie-down straps	Appendix A (A.2.2g)	68
	3.35.5	11
	5.3.2.3.1	22
	5.3.3.2	24
Top frames	Appendix A (A.2.2d)	68
	5.4.6.2	31
Tray cap	Appendix A (A.2.3k)	69
	5.4.3.4	29
Underhang	Appendix A (A.2.3f)	69
	3.45	12
Under- or over-the load battens	5.4.11.2	35
	Appendix A (A.2.3u)	69
Unstable, small, and odd-shaped units	5.2.17	20
	Appendix A (A.2.1v)	67
Vertical supports	3.43	12
	5.4.3.3	28
	5.4.3.4	29
Vertical wood separators	3.29.3	10
	5.4.9.4	34
	Appendix A (A.2.3r)	69
Weatherproof wrapping	5.2.6	18
	5.4.5	30
	Appendix A (A.2.3i)	69
Weight limits	5.1.1.2	17
Window lights	5.2.7	19
	Appendix A (A.2.1i)	67
Wood cap	5.4.3.3	28
	Appendix A (A.2.3e)	69
Wood collar	3.6	7
	5.2.9	19
	5.4.12	36
Wrapping	Appendix A (A.2.3x)	70
	4.1.5	13

CONCLUDING MATERIAL

Custodians:

Army - SM
Navy - SA
Air Force - 69
DLA - DH

Preparing activity:

Army - SM

(Project PACK-2019-002)

Review activities:

Army - AR, AT, AV, CR, GL, MI, MT, PT, TE
Navy - AS, MC
Air Force - 11, 70
DLA - CC, CQ, CT, DM, GS, GS4, IS, PS, SS

Civil Agency:

GSA - FAS

NOTE: The activities listed above were interested in this document as of the date of this document. Since organizations and responsibilities can change, you should verify the currency of the information above using the ASSIST Online database at <https://assist.dla.mil>.